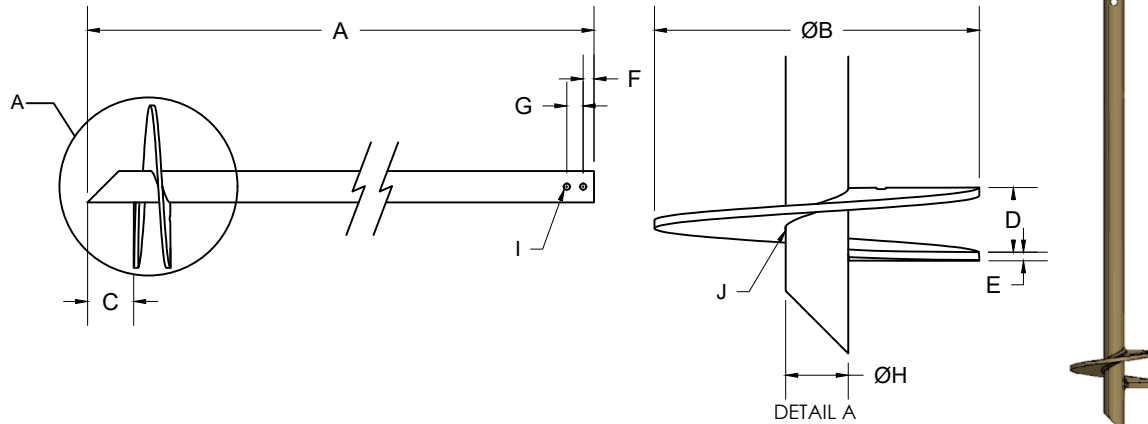


2

1

NOTES :

- 1-MATERIALS:
 -HELIX PLATE PER CSA G40.21 50W, MIN.FY=414 MPA, ULTIMATE STRENGTH 483 MPA
 -TUBE PER ASTM A500 GR C, FY=414 MPA, FU=483 MPA
- 2-ANY CHANGE OF MATERIAL IS SUBJECT TO GOLIATHTECH APPROVAL
- 3-WELD PERFORMED IN ACCORDANCE WITH CSA STANDARD W47.1 AND GOLIATHTECH WELDING PROCEDURES. WELDERS ARE ALSO CERTIFIED TO THE AWS STANDARD.



| | | |
|-----|-----------------|------------|
| 3 | | |
| 2 | | |
| 1 | INITIAL RELEASE | 2023-07-18 |
| REV | MODIFICATION | DATE |

MECHANICAL ASD LOAD CAPACITY

| NO. | Dimension (mm) | Description | Unbraced Shaft Length, Lu (m) | | | Tension (kN) | Lateral (kN) | Bending Moment (N-m) | Max Soil Capacity Comp/Ten* (kN) |
|-----|----------------|-------------|--|-----------|-----------|--------------|--------------|----------------------|----------------------------------|
| | | | 0 Coupler | 1 Coupler | 2 Coupler | | | | |
| A | 1,067 | | 0 | 117 | 117 | 52 | 28 | 2,047 | 70 |
| B | 432 | | 2 | 43 | 23 | | | | |
| C | 108 | | 3 | 19 | 14 | | | | |
| D | PITCH 76 | | 5 | 10 | 8 | | | | |
| E | 9.5 | | 6 | 6 | 5 | | | | |
| F | 25 | | Note: | | | | | | |
| G | 38 | | 1. Soil capacity (P4) must be determined per Section 4.1.5 of this report. | | | | | | |
| H | 60 | | 2. Maximum ultimate soil capacity is determined from $P_{ult} = K_t \times T$ based on the corresponding maximum installation torque rating for the specific pile model. Allowable soil capacity is determined from $P_a = P_{ult} / 2.0$ based on the corresponding maximum installation torque rating for the specific pile model. See Section 4.1.5 for additional information. | | | | | | |
| I | 14 | | 3. Mechanical torsion rating is the maximum torsional resistance of the steel shaft. | | | | | | |
| J | 6 | Weld | 4. Maximum Torque Per Soil Tests is the maximum torque achieved during field axial verification testing that was conducted to verify the pile axial capacity related to pile-soil interaction. | | | | | | |
| | | | 5. Maximum Installation Torque rating is the lower of the "mechanical torsion rating" and the "maximum torque per soil tests". | | | | | | |
| | | | 6. The allowable soil capacity under the IRC must be determined in accordance with Equation 3 of Section 4.1.5 of this report, when applicable. | | | | | | |
| | | | *7. Min required installation depth for tension is 12D where D is the diameter of the uppermost helix. | | | | | | |
| | | | 8. Max Soil Capacities based on the the tube torsional capacity. | | | | | | |

GOLIATHTECH

GOLIATHTECH VENTURA LmINE

TITLE: 60mm Helical Pile (3.9 mm wall), 432 mm Helix, 1067 mm Length

| | | |
|-------|------------|--------------------|
| SEAL: | DWG. NO : | VGTP123817-3.5FT-M |
| | DRAWN BY: | ARG |
| | DESIGN BY: | GOLIATHTECH |
| | CHECK BY: | CPOC |
| | APP BY: | CPOC |
| | OTHER NO : | - |

| | | | |
|-------------|-------|------------|--------|
| FORMAT : A | REV.: | DATE : | PAGE : |
| SCALE : NTS | 1 | 2024-01-29 | 1 DE 1 |

THIS DOCUMENT CONTAINS PROPRIETARY INFORMATION AND MAY NOT BE REPRODUCED OR COPIED WITHOUT THE EXPRESS WRITTEN PERMISSION OF A DULY AUTHORIZED REPRESENTATIVE OF GOLIATHTECH INC.

2

1