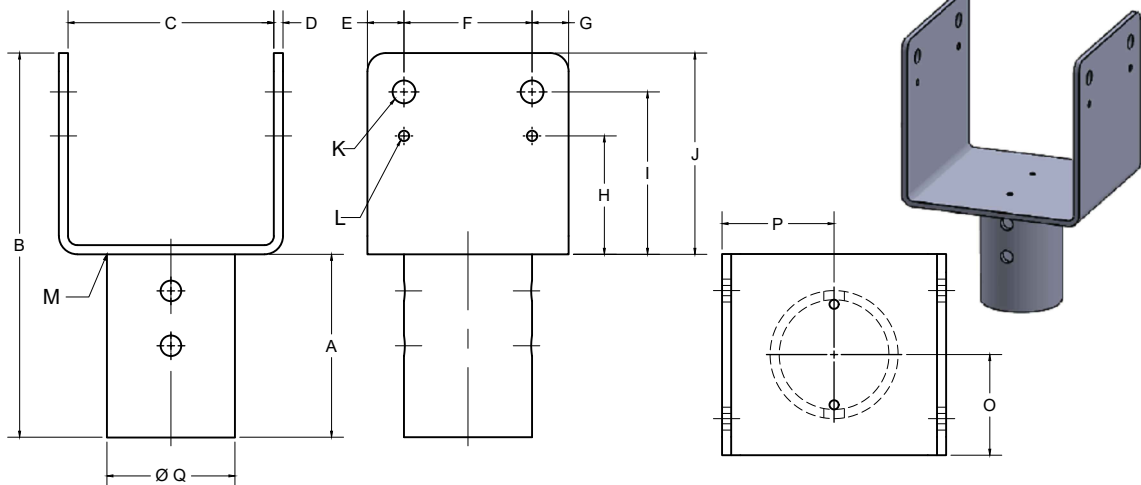


2

1



NOTES :

- 1-MATERIALS:
-PLATE PER CSA G40.21 50W, MIN.FY=60 KSI, FU=70KSI
-TUBE PER ASTM A500 GR C, FY=60KSI, FU= 70 KSI.
- 2-ANY CHANGE OF MATERIAL IS SUBJECT TO GOLIATHTECH APPROVAL
- 3-WELD PERFORMED IN ACCORDANCE WITH CSA STANDARD W47.1 AND GOLIATHTECH WELDING PROCEDURES. WELDERS ARE ALSO CERTIFIED TO THE AWS STANDARD.
- 4-HOT-DIP GALVANIZED, PARTS PER ASTM A123.

3		
2		
1	INITIAL RELEASE	2023-05-02
REV	MODIFICATION	DATE

REVISION



TITLE: 5 5/8" non adj. U Bracket Pile Head for 2 7/8" Pile

SEAL:	DWG. NO : GTBRST278U558
	DRAWN BY: R.E
	DESIGN BY: GOLIATHTECH
	CHECK BY: CPOC
	APP BY: CPOC
OTHER NO : GTBREST278U558	

FORMAT : A	REV.: 1	DATE : 2023-05-02	PAGE : 1 DE 1
SCALE : NTS			

THIS DOCUMENT CONTAINS PROPRIETARY INFORMATION AND MAY NOT BE REPRODUCED OR COPIED WITHOUT THE EXPRESS WRITTEN PERMISSION OF A DULY AUTHORIZED REPRESENTATIVE OF GOLIATHTECH INC.

MECHANICAL ASD LOAD CAPACITY SEISMIC DESIGN

NO.	Dimension (inches)	Description	MECHANICAL ASD LOAD CAPACITY SEISMIC DESIGN					
			CATEGORIES A,B AND C			CATEGORIES D,E AND F		
			Compression (kips)	Tension (kips)	Lateral (kips)	Compression (kips)	Tension (kips)	Lateral (kips)
A	5		65.50	24.91	18.32	55.00	20.75	18.32
B	10 1/2							
C	5 5/8	Wood post						
D	1/4							
E	1							
F	3 1/2							
G	1							
H	3 1/4							
I	4 7/16							
J	5 1/2							
K	5/8	Bolt 1/2"	Note: 1-The ASD capacities are based on limit states associated with mechanical steel strength of the bracket to the helical pile shaft. Wood post/beam (above), shaft, or geotechnical capacities may control. The member supported by the bracket must be designed by the registered design professional and must not exceed the tabulated capacities. 2-The tabulated capacities assume the pile foundation system is sidesway braced per IBC Section 18.10.2.2. 3-Tabulated capacities based on two (2) - 1/2 - inch diameter hex head bolts. 4-All components above the bracket, including the compression and tensile capacities of the wooden member based on species and its situational bearing conditions. Additionally, the connection between the wood member and the U bracket is to be determined by the design professional on a case by case basis. 5-Capacities for galvanized steel brackets are based on galvanized steel losing 0.013-inch (330µm) steel thickness as indicated in Section 3.9 of AC308 for a 50-year service life.					
L	9/32	Wood screw						
M	1/4	Weld						
O	2 3/4							
p	3 1/16							
Q	3 1/2							

2

1

B

B

A

A