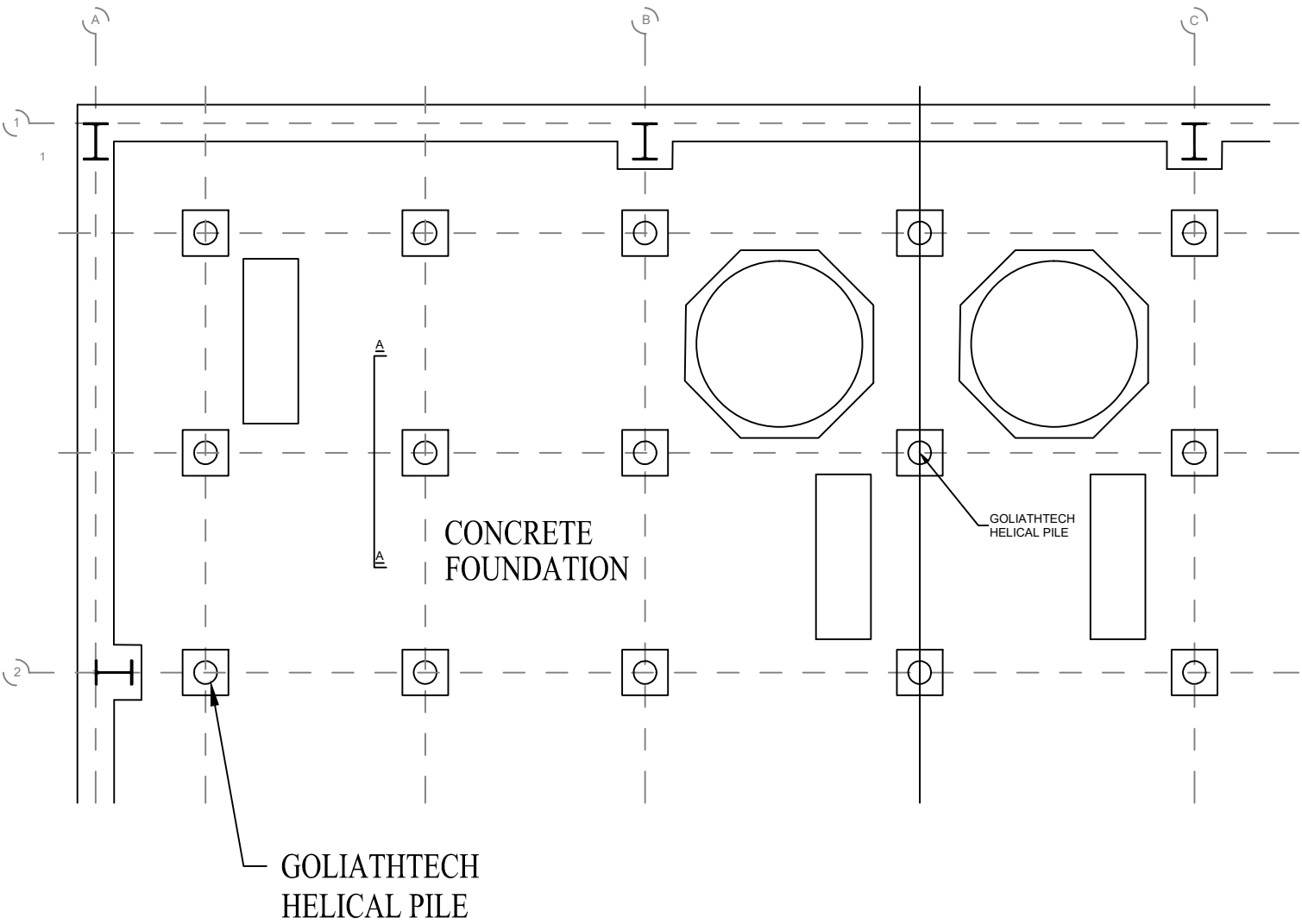
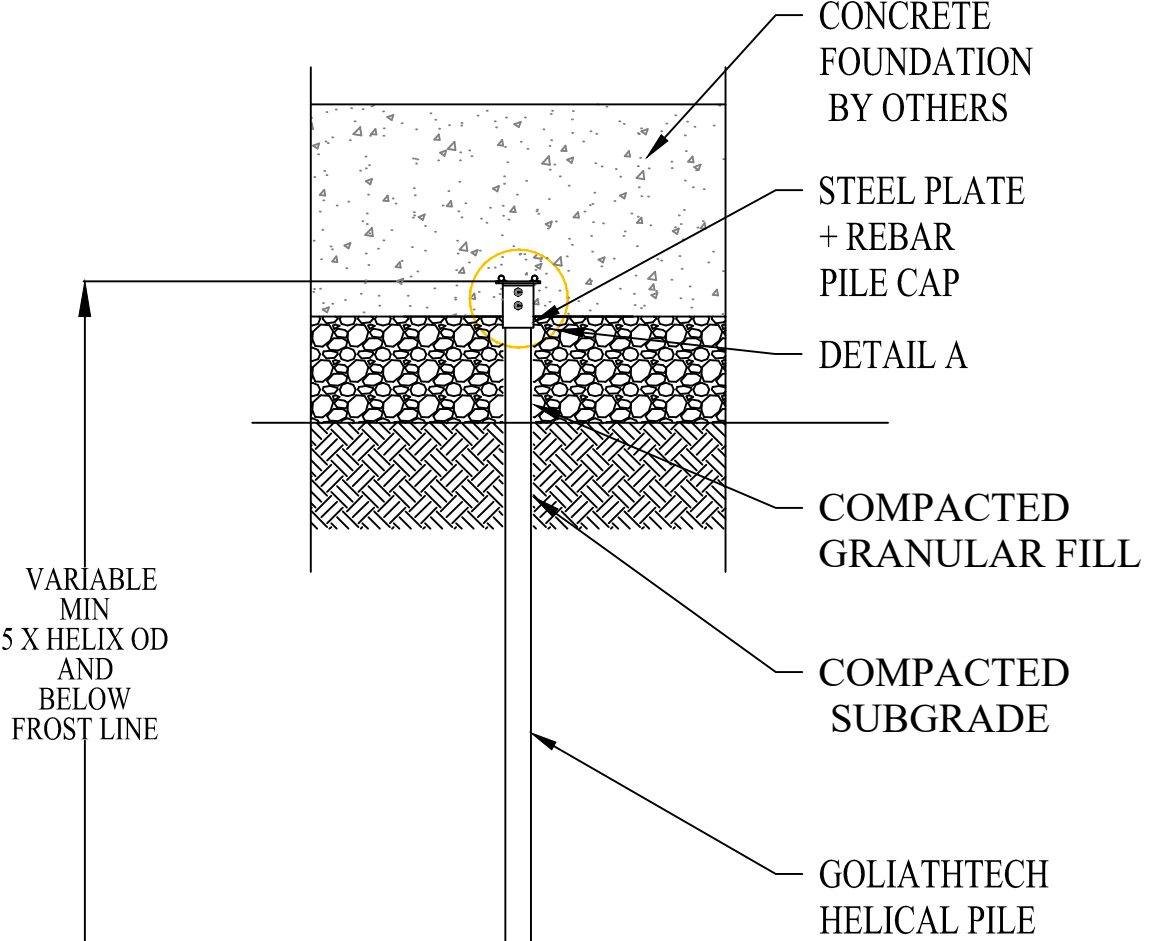


REVISIONS				
ZONE	REV.	DESCRIPTION	DATE	DESIGN
	2	INITIAL RELEASE	SEP-06-19	R.M

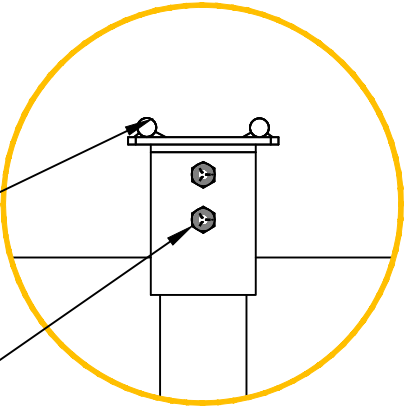


**PLAN VIEW**

**REFER TO GENERAL NOTES STD-GN-001**



**SIDE VIEW**



**DETAIL A**

**GOLIATHTECH**  
SCREW PILE SYSTEM

CONCRETE APPLICATIONS  
FOUNDATION

DWG SIZE B	STD-C0-003
SCALE Not To Scale	SHEET 1 OF 1