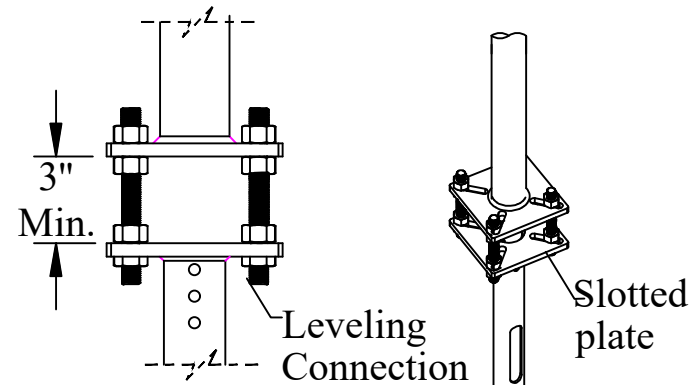
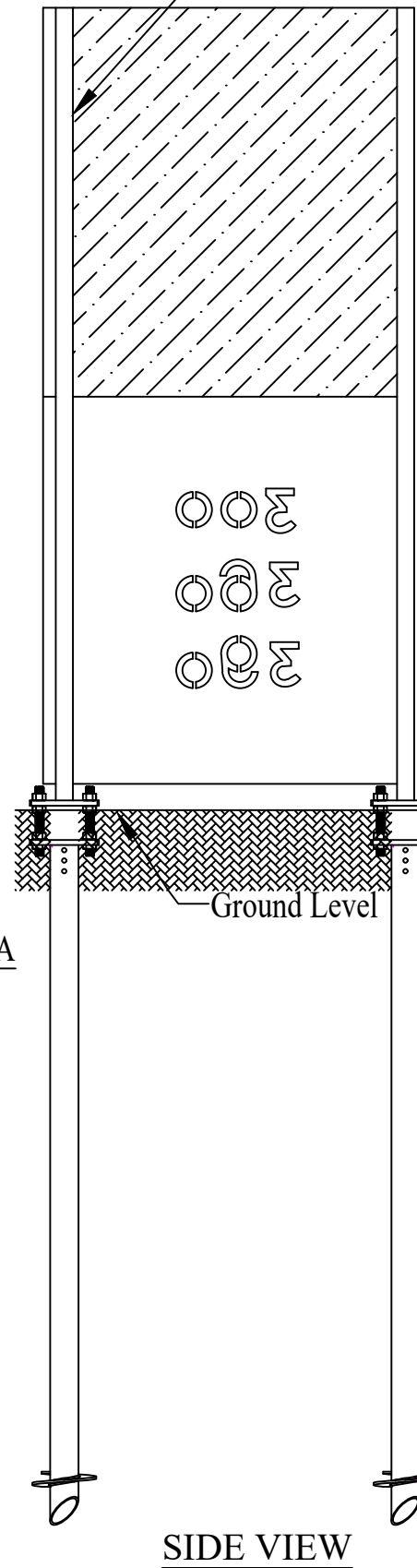
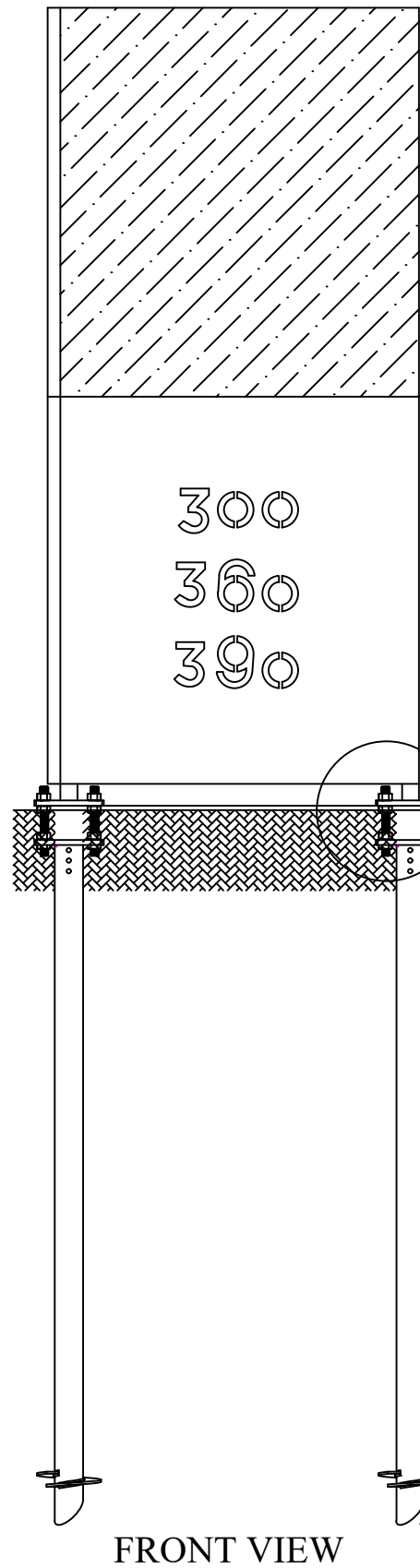


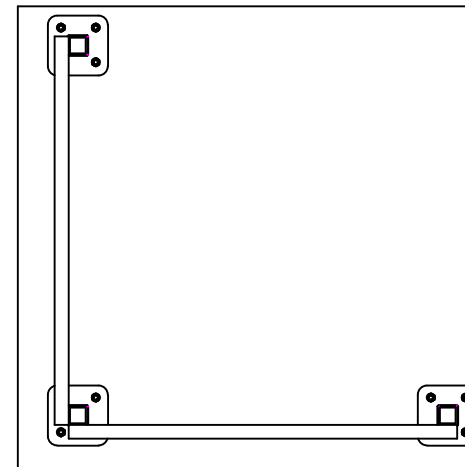
SIGN BY OTHERS

| REVISIONS | | | | |
|-----------|------|-----------------|------------|--------|
| ZONE | REV. | DESCRIPTION | DATE | DESIGN |
| | 1 | INITIAL RELEASE | June-06-18 | R.M |

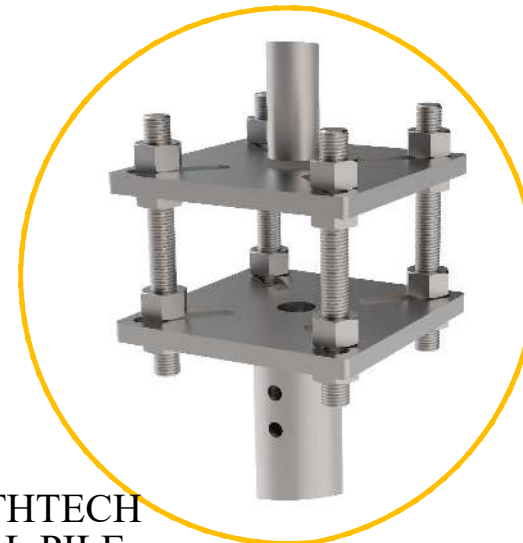


DETAIL A

3D DETAIL



GTLAMPBOLTKIT178-658



NOTES:
PILES: HOT-DIP GALVANIZED
PARTS PER ASTM A123

GOLIATHTECH
SCREW PILE SYSTEM

SIGN SUPPORTED BY PILES (Type 3)

DWG. NO. GTSIGNxxx-USC03

SCALE 0.200

SHEET 1 OF 1

Rev.1

DWG. NO. GTSIGNxxx-USC03

A