

GTPARKATSOL1034-USC01

REVISIONS

ZONE	REV.	DESCRIPTION	DATE	DESIGN
	1	INITIAL RELEASE	Nov-06-17	R.M

D

C

B

A

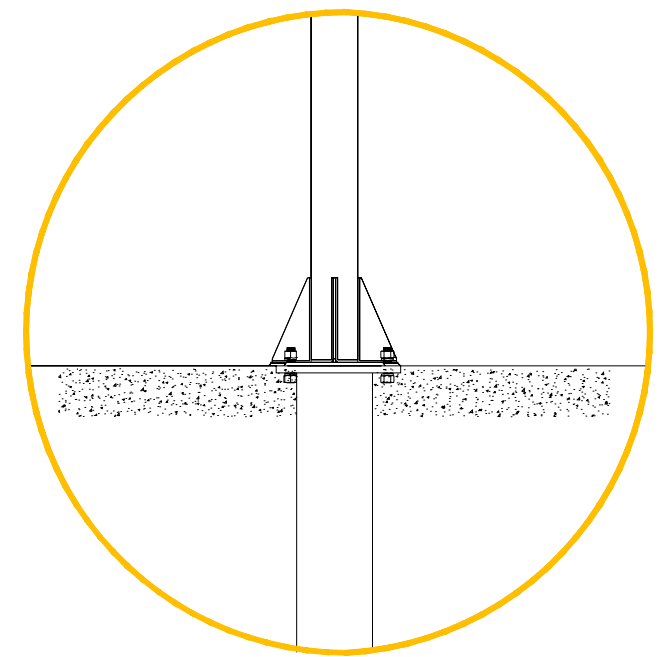
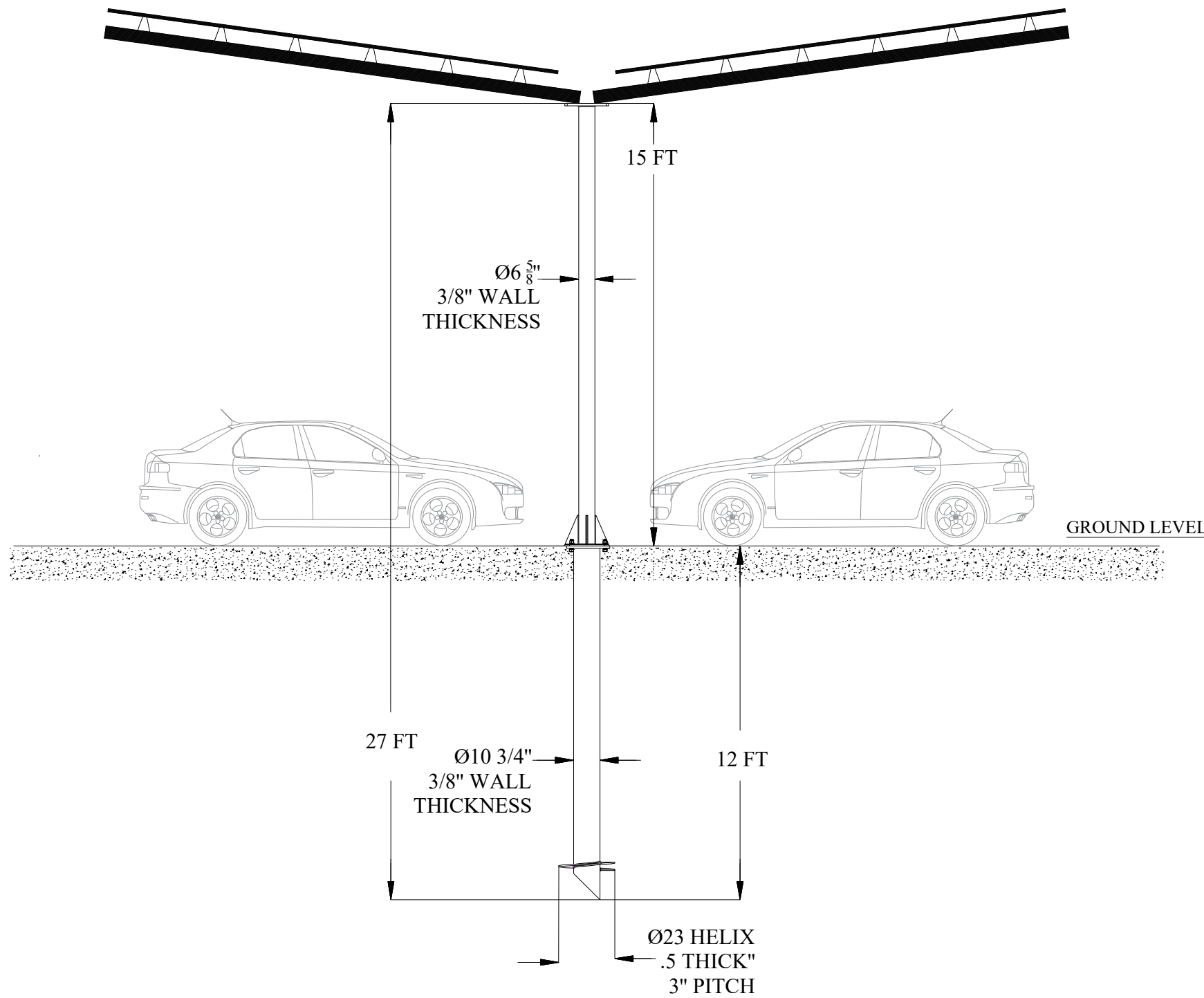
D

C

B

A

# CONNECTION



**GOLIATH TECH**  
SCREW PILE SYSTEM

CARPORT BEAM ASSEMBLY CONNECTION  
FOR 10 3/4" PILE

DWG. SIZE B | DWG. NO. GTPARKATSOL1034-USC01

SCALE: NO TO SCALE | SHEET 1 OF 1

Rev. 1

DWG. NO. GTPARKATSOL1034-USC01