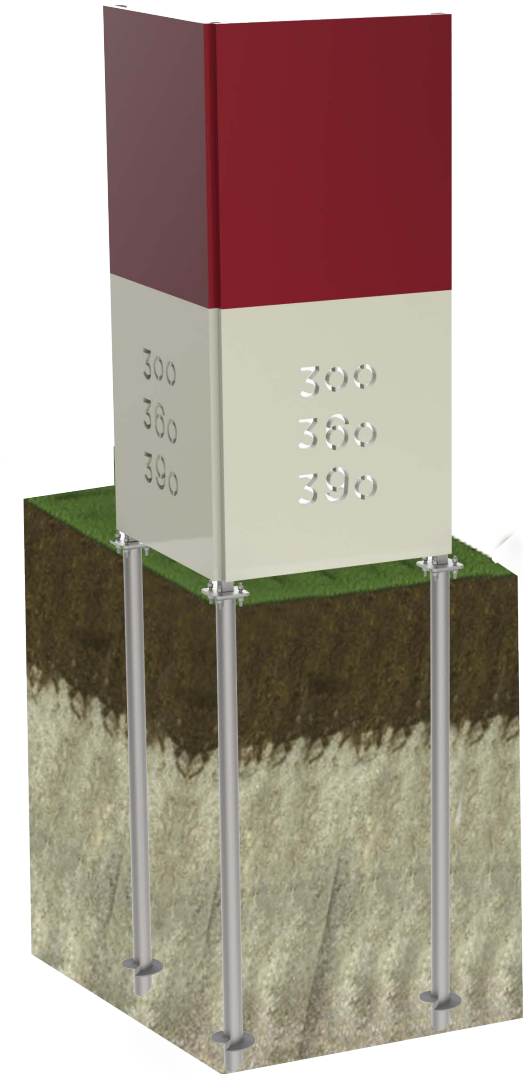
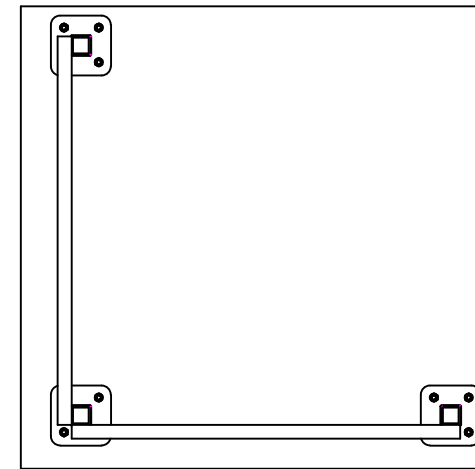
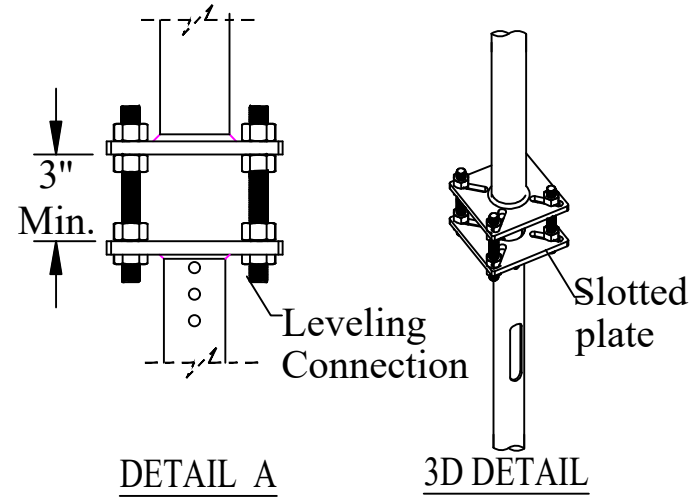
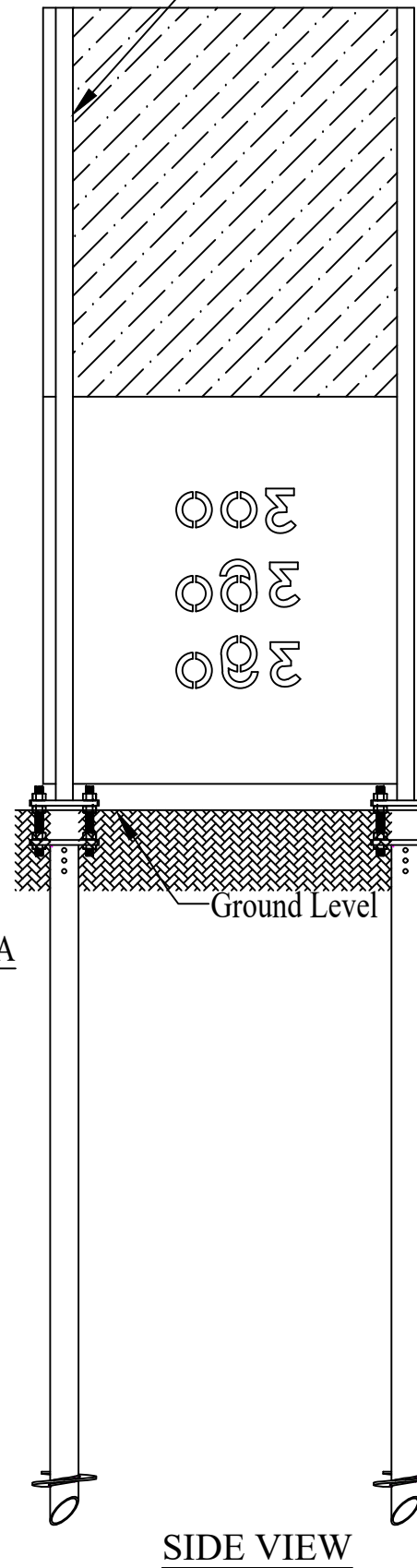
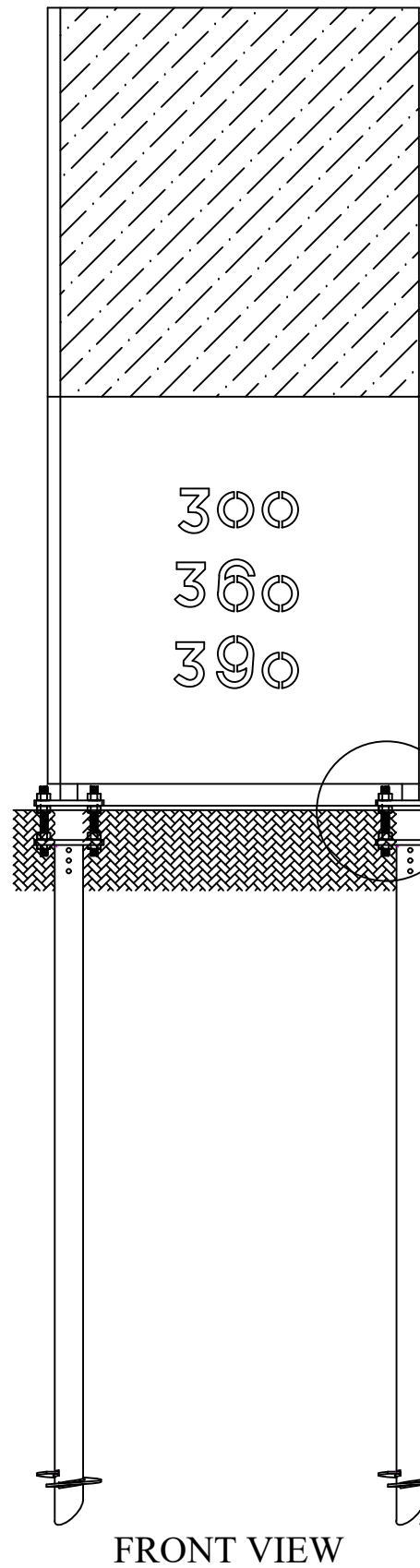
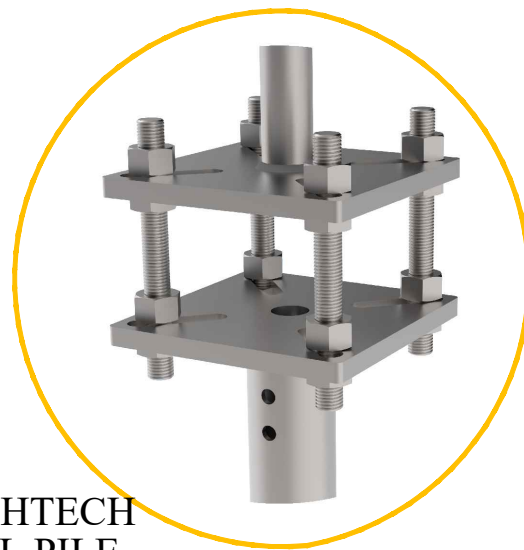


SIGN BY OTHERS

REVISIONS				
ZONE	REV.	DESCRIPTION	DATE	DESIGN
	1	INITIAL RELEASE	June-06-18	R.M



Variable
Min
5 X Helix OD
and Below
Frost Line



NOTES:
PILES: HOT-DIP GALVANIZED
PARTS PER ASTM A123

GOLIATHTECH
SCREW PILE SYSTEM

SIGN SUPPORTED BY PILES (Type 3)

DWG. NO. GTSIGNxxx-USC03 DWG. SIZE B

SHEET 1 OF 1

DWG. NO. GTSIGNxxx-USC03 Rev.1