

GTLAMPxxx-USC01

8

7

6

5

4

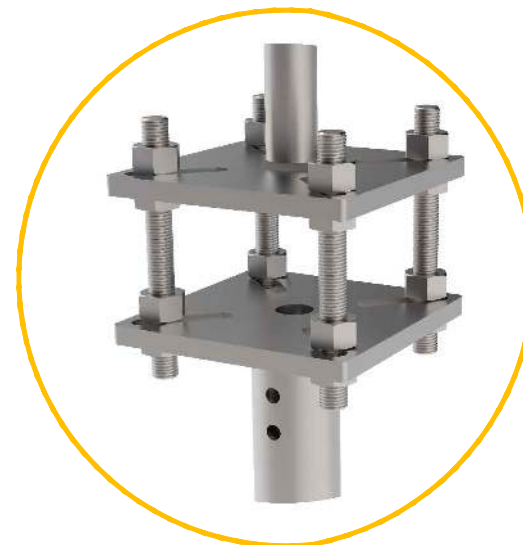
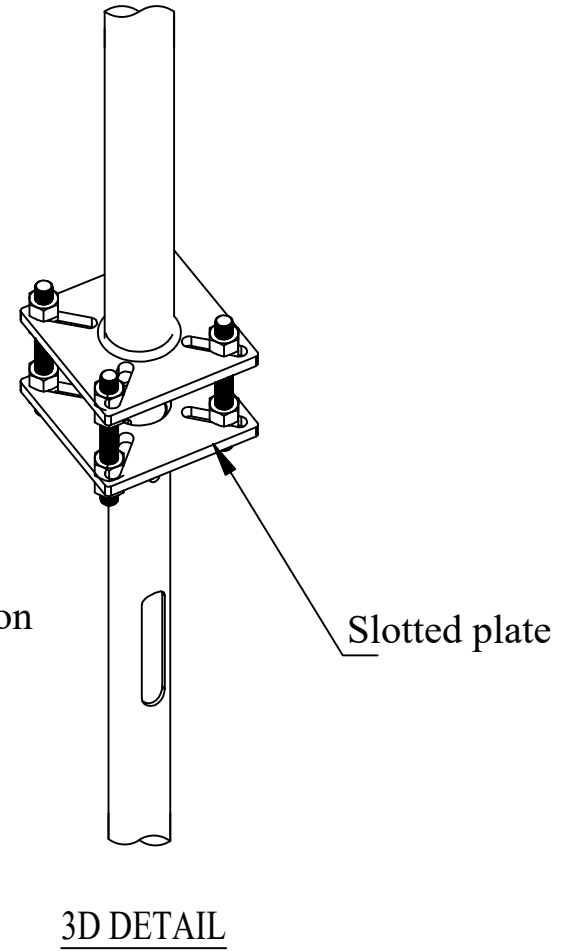
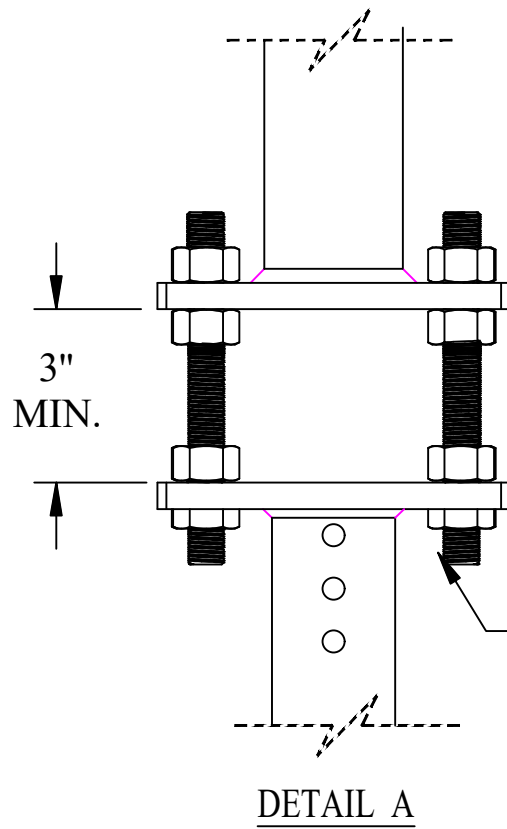
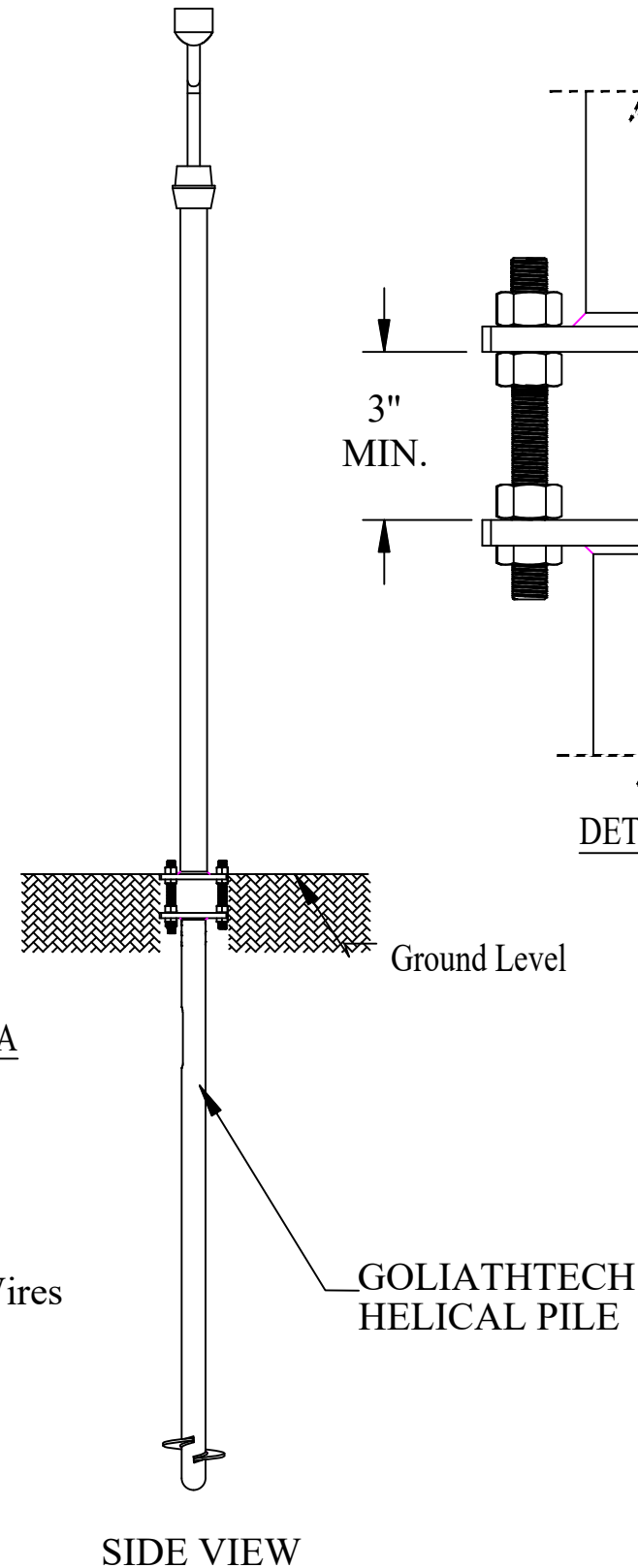
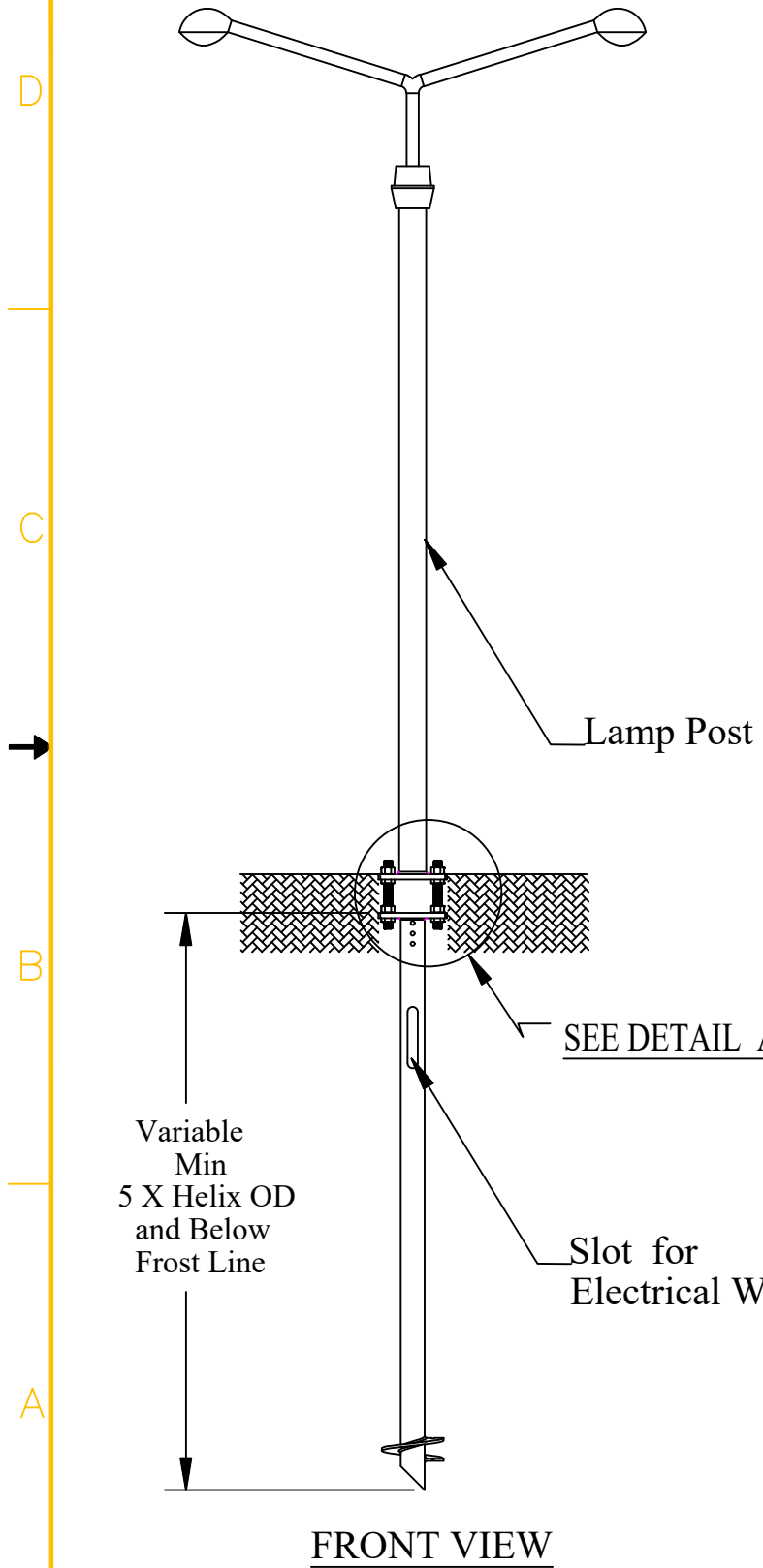
3

2

1

REVISIONS

ZONE	REV.	DESCRIPTION	DATE	DESIGN
	1	INITIAL RELEASE	May-30-18	R.M



GOLIATHTECH
 SCREW PILE SYSTEM
 LAMP POLES SUPPORTED BY SCREW PILES

DWG. NO. GTLAMPxxx-USC01
 SCALE 0.200

SHEET 1 OF 1

DWG. NO. GTLAMPxxx-USC01 Rev.1

A