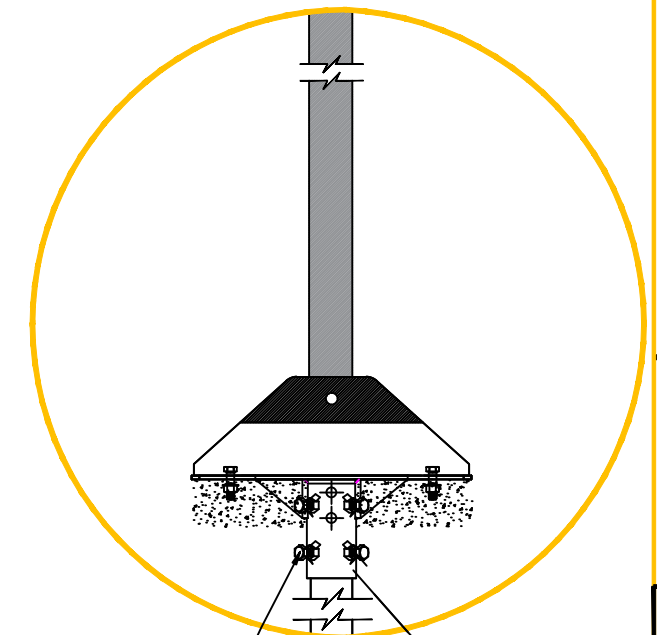


GTPARKATSOL238278-USC01

REVISIONS				
ZONE	REV.	DESCRIPTION	DATE	DESIGN
	2	INITIAL RELEASE	Oct-10-17	R.M

# HEAD CONNECTION



The bolts are below ground level for aesthetics

The connection will be embedded in the ground

VARIABLE MIN  
5 X HELIXØ  
AND BELOW  
FROST LINE

VARIABLE MIN  
5 X HELIXØ  
AND BELOW  
FROST LINE

Ø9 - Ø19 HELIX  
Ø9-Ø17 HELIX(.375 THICK")  
3" PITCH  
Ø2 7/8" PILE

Ø9 - Ø17 HELIX  
.375 THICK"  
3" PITCH  
Ø2 3/8" PILE

**GOLIATH TECH**  
SCREW PILE SYSTEM

CARPOR SCHLETTER PILE HEAD  
CONNECTION FOR 2 3/8" AND 2 7/8" PILE

DWG. SIZE B | DWG. NO. GTPARKATSOL238278-USC01

SCALE NO TO SCALE

SHEET 1 OF 1

Rev.2

GTPARKATSOL238278-USC01

A

