

GTPARKATSOL1034B-USC01

8

7

6

5

4

3

2

1

REVISIONS

ZONE	REV.	DESCRIPTION	DATE	DESIGN
	1	INITIAL RELEASE	Nov-06-17	R.M

D

D

C

C

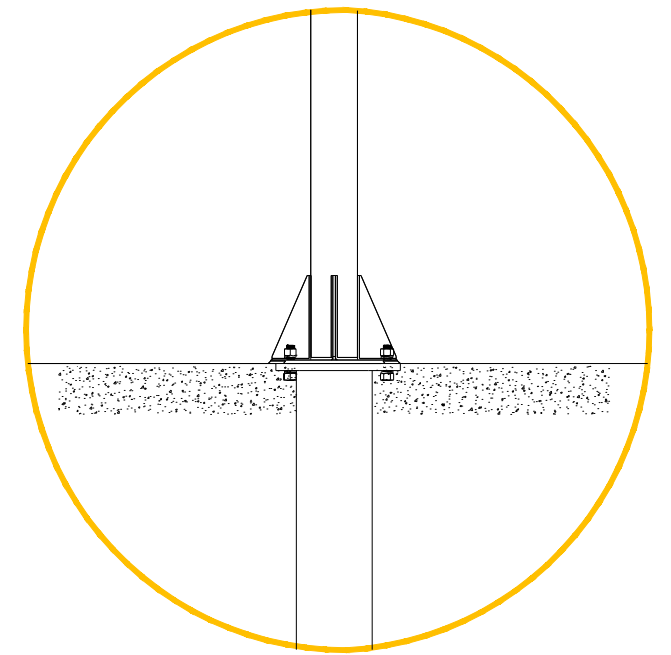
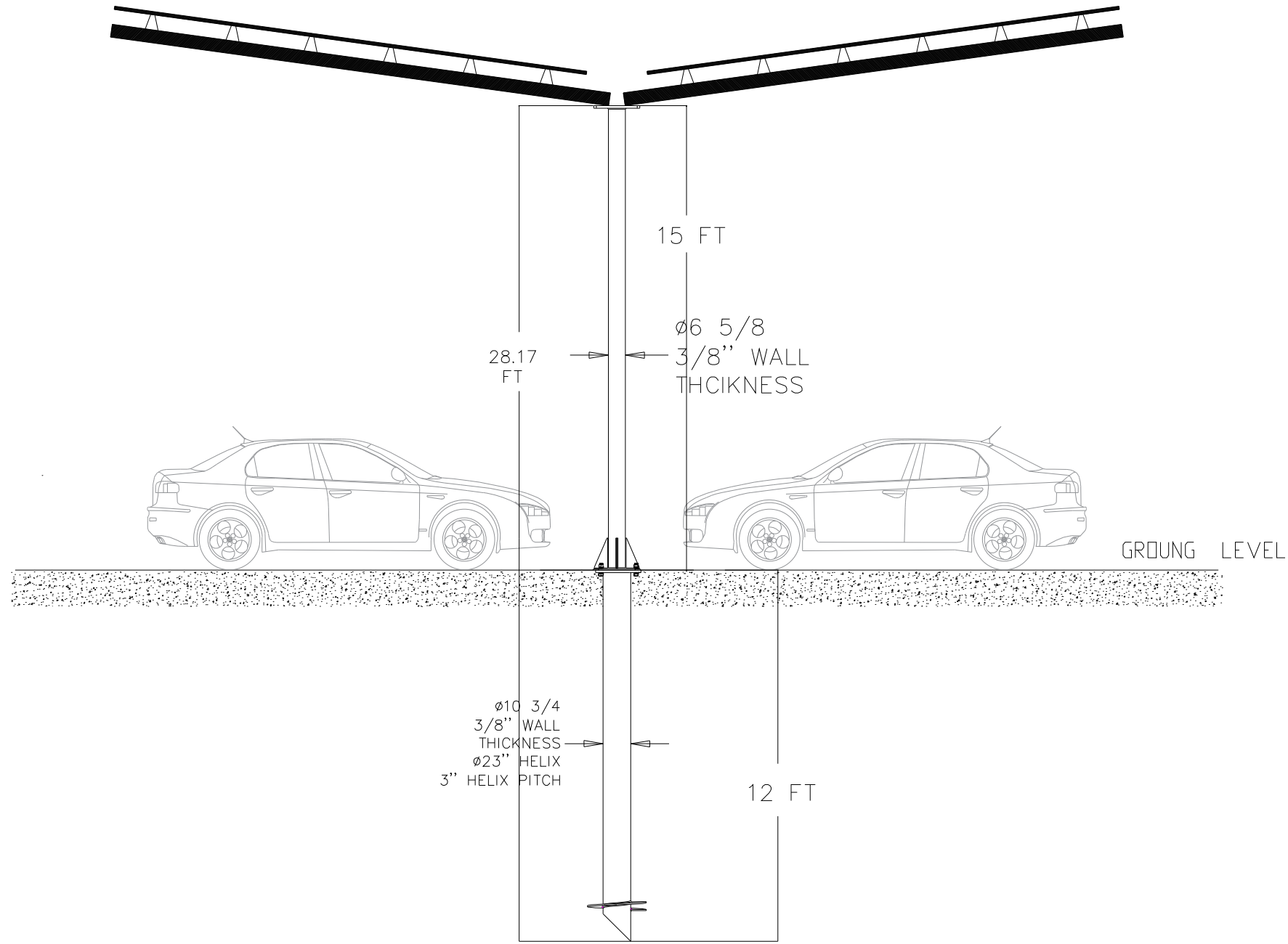
B

B

A

A

# CONNECTION



CARPORT SCHLETTER BEAM ASSEMBLY CONNECTION CONNECTION FOR 10 3/4" PILE

DWG. SIZE B | DWG. NO. GTPARKATSOL1034B-USC01

SCALE NO. TO SCALE | SHEET 1 OF 1

Rev. 1

DWG. NO. GTPARKATSOL1034B-USC01

8

7

6

5

4

3

2

1