

GTSAILSHADE-USC01

8

7

6

5



4

3

2

1

REVISIONS				
ZONE	REV.	DESCRIPTION	DATE	DESIGN
	1	INITIAL RELEASE	May-30-18	R.M

D

D

C

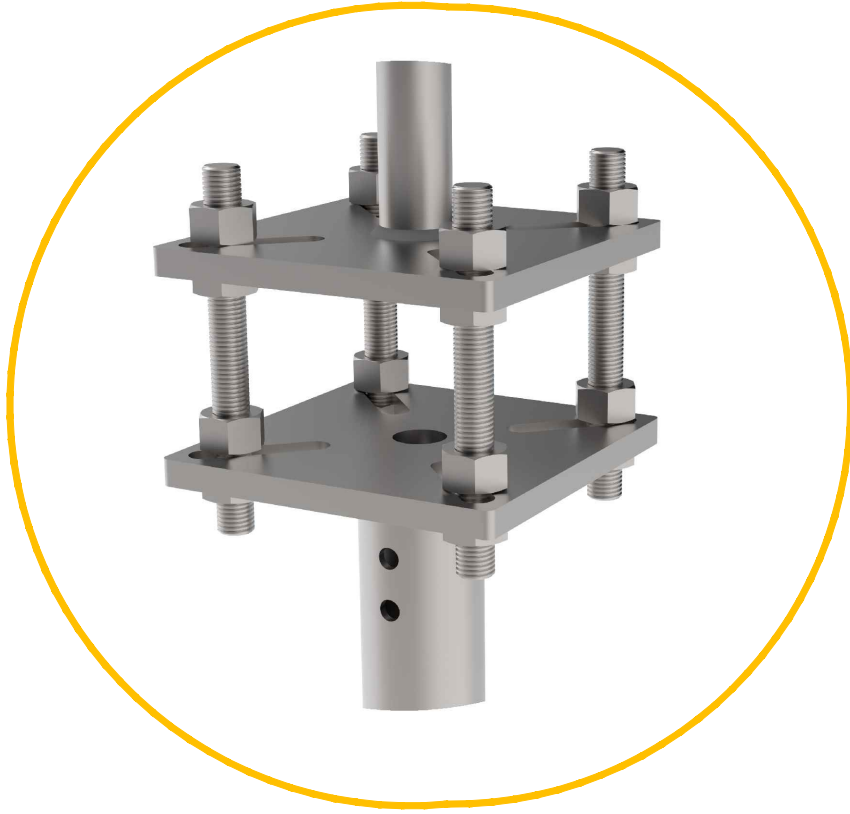
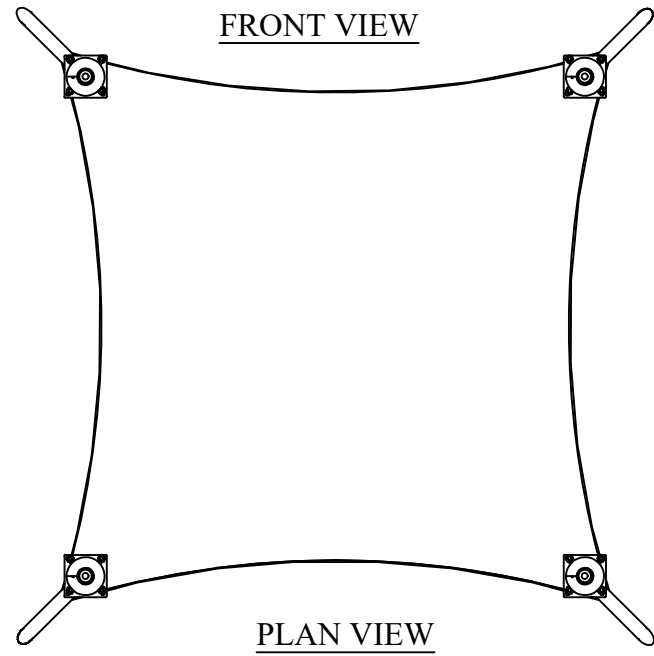
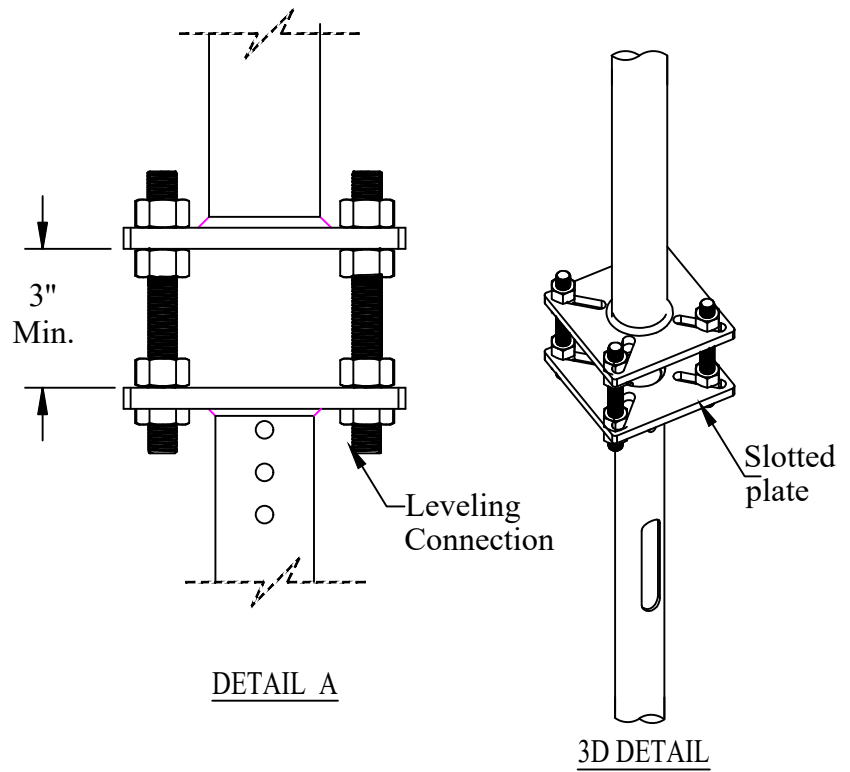
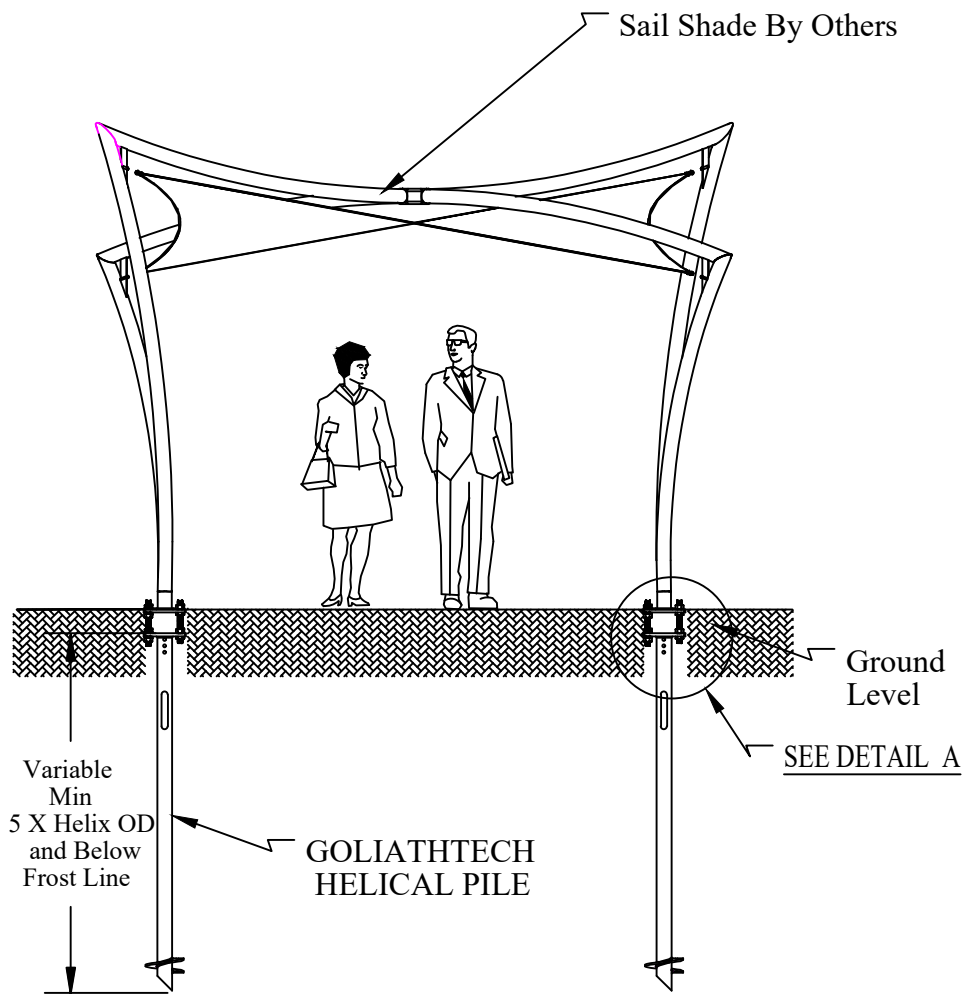
C

B

B

A

A



GOLIATHTECH
SCREW PILE SYSTEM

SAIL SHADE SUPPORTED BY SCREW PILES

DWG. SIZE B | DWG. NO GTSAILSHADE-USC01

SCALE 0.200

SHEET 1 OF 1

DWG. NO GTSAILSHADE01-USC01 Rev.1

8

7

6

5



4

3

2

1