

GTLAMPxxx-USC01

8

7

6

5

4

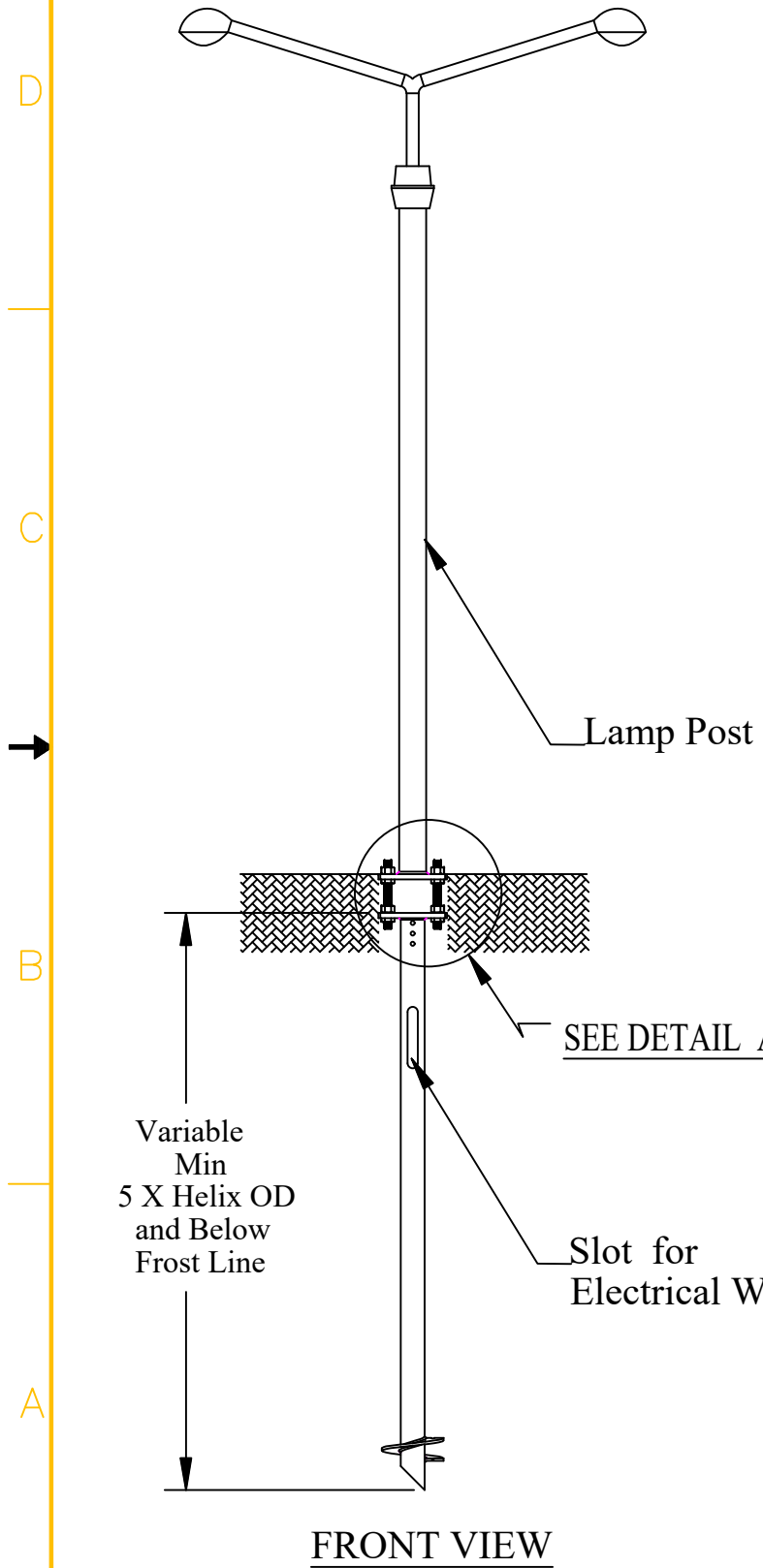
3

2

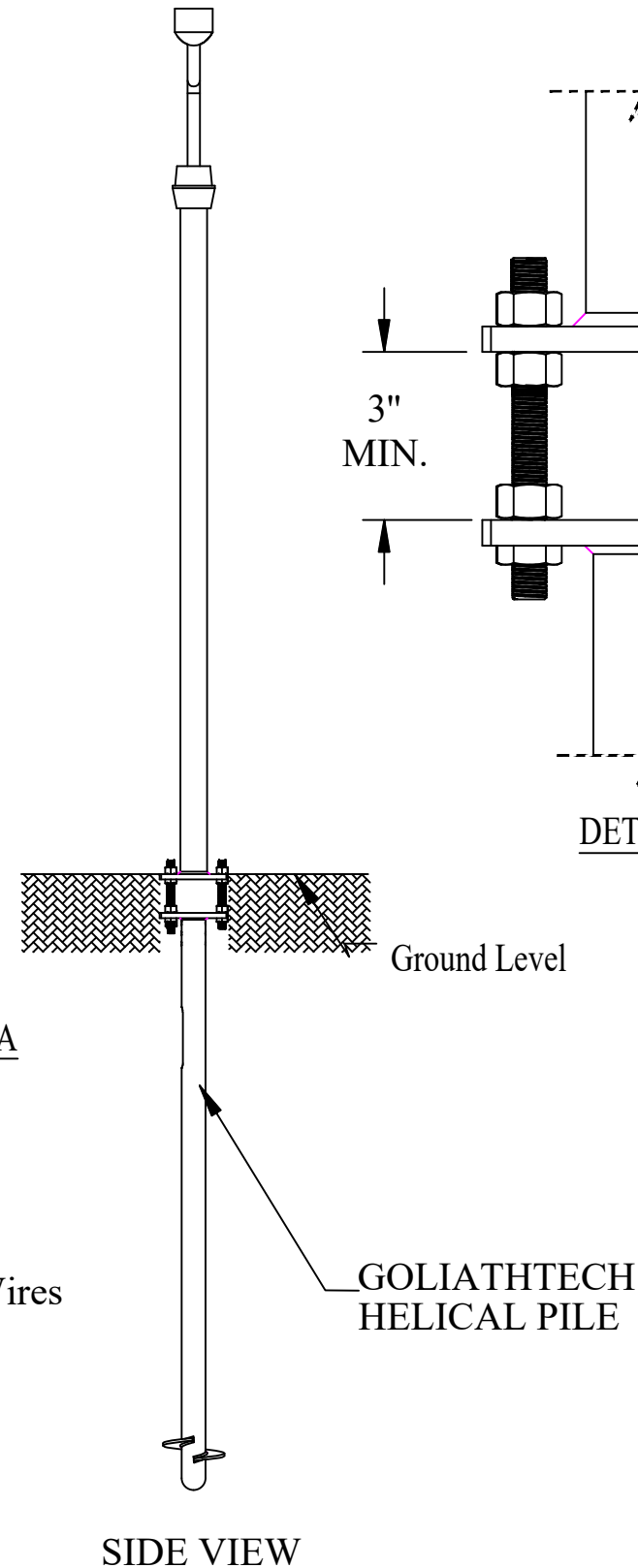
1

REVISIONS

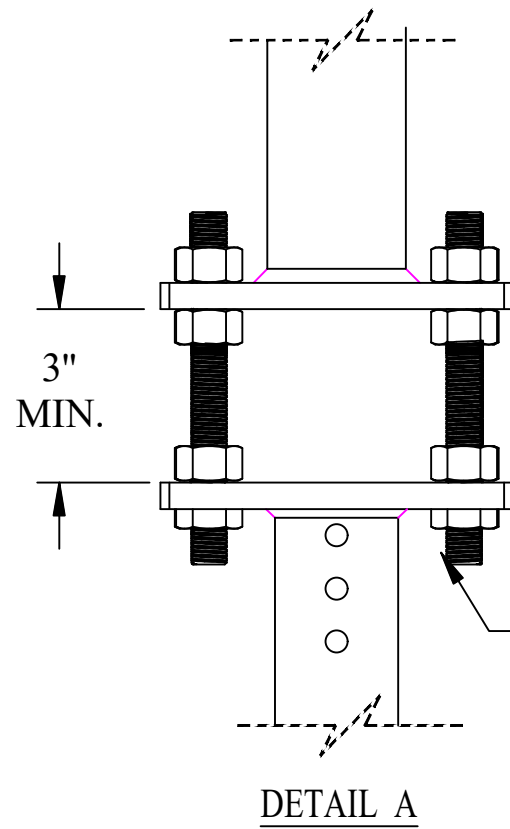
ZONE	REV.	DESCRIPTION	DATE	DESIGN
	1	INITIAL RELEASE	May-30-18	R.M



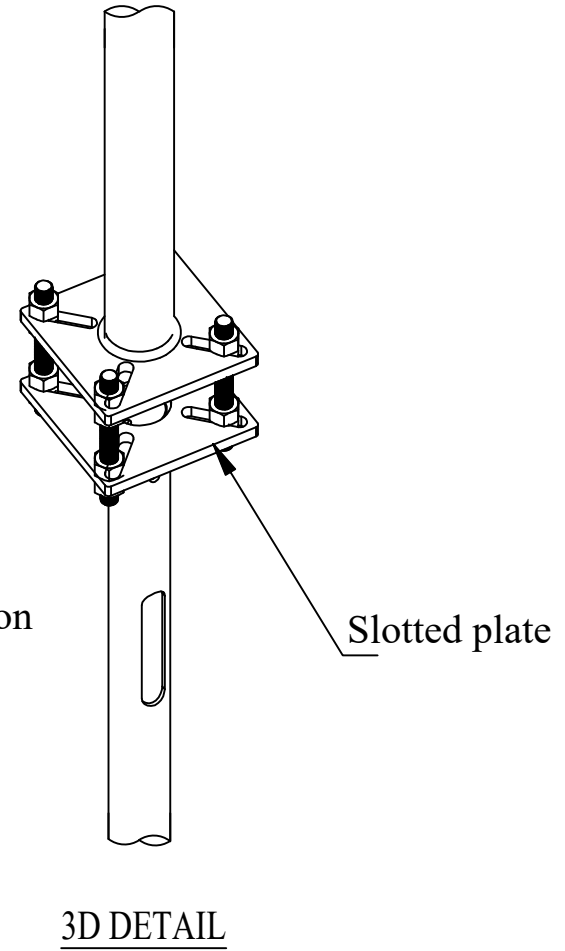
FRONT VIEW



SIDE VIEW



DETAIL A



3D DETAIL



**GOLIATH TECH**  
 SCREW PILE SYSTEM  
 LAMP POLES SUPPORTED BY SCREW PILES

DWG. SIZE B | DWG. NO. GTLAMPxxx-USC01

SCALE 0.200

SHEET 1 OF 1

Rev.1

DWG. NO. GTLAMPxxx-USC01

A