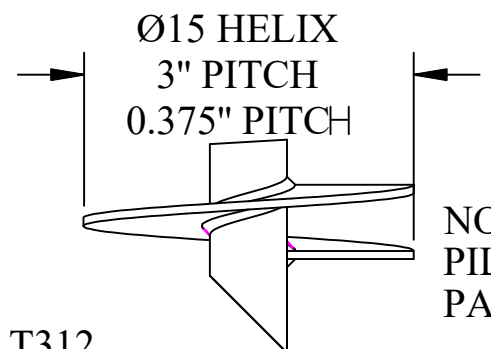
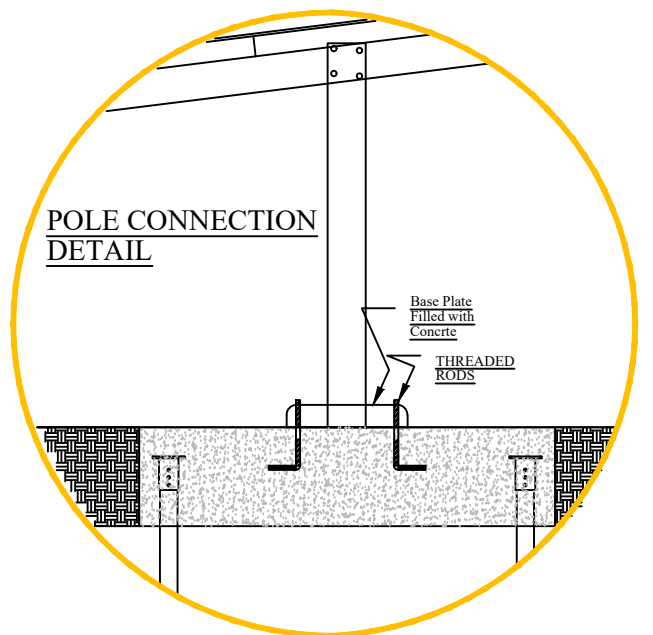
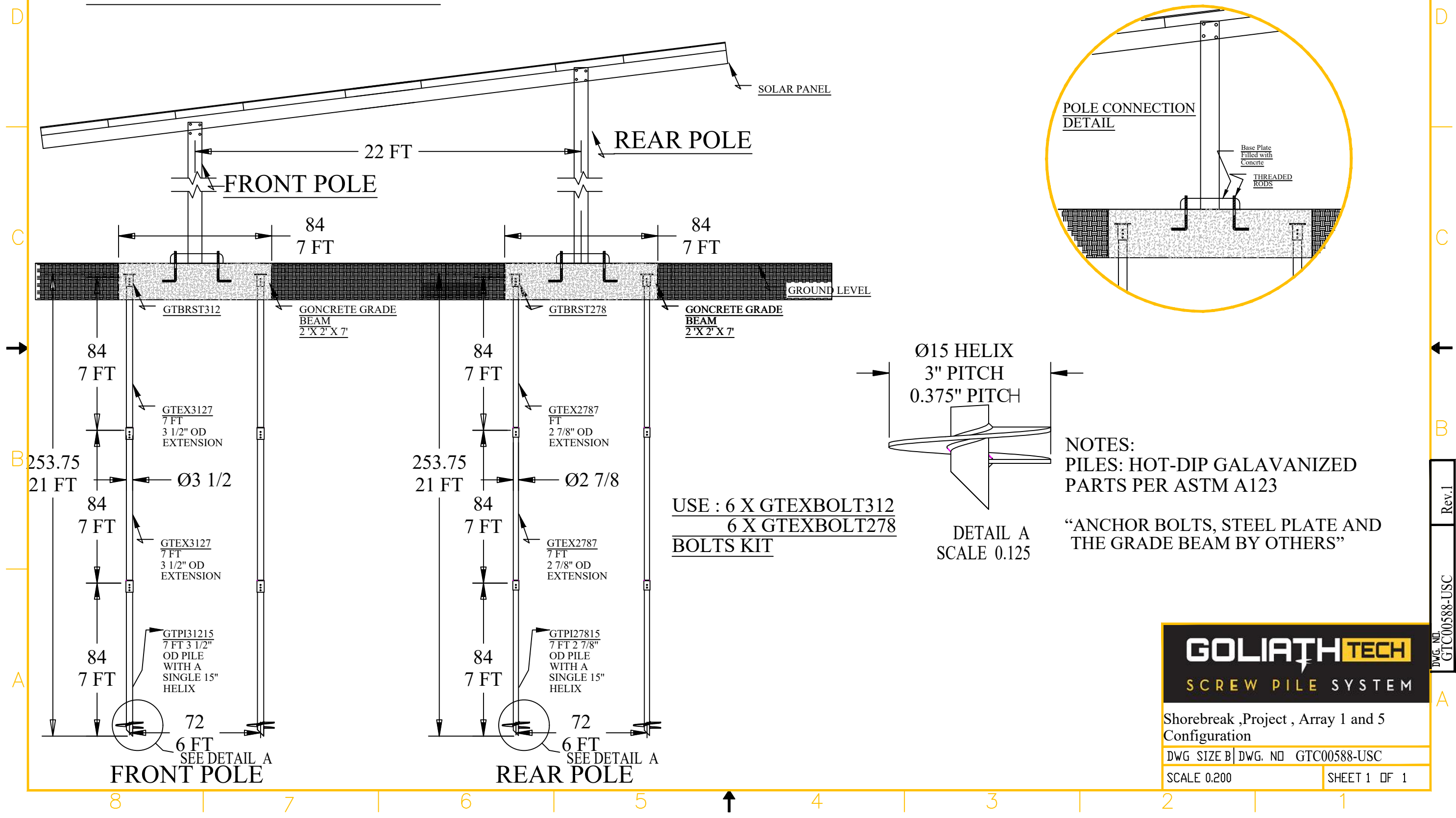


REVISIONS

ZONE	REV.	DESCRIPTION	DATE	DESIGN
	1	INITIAL RELEASE	JAN-10-18	R.M

ARRAY 1 and 5



USE : 6 X GTEXBOLT312
 6 X GTEXBOLT278
 BOLTS KIT

NOTES:
 PILES: HOT-DIP GALVANIZED PARTS PER ASTM A123
 "ANCHOR BOLTS, STEEL PLATE AND THE GRADE BEAM BY OTHERS"

GOLIATH TECH
 SCREW PILE SYSTEM

Shorebreak ,Project , Array 1 and 5 Configuration
 DWG SIZE B | DWG. NO GTC00588-USC
 SCALE 0.200 | SHEET 1 OF 1

Rev.1
 DWG. NO GTC00588-USC