

GTPARKATSOL858-USC01

8

7

6

5



4

3

2

1

REVISIONS				
ZONE	REV.	DESCRIPTION	DATE	DESIGN
	2	INITIAL RELEASE	Oct-27-17	R.M

D

D

C

C

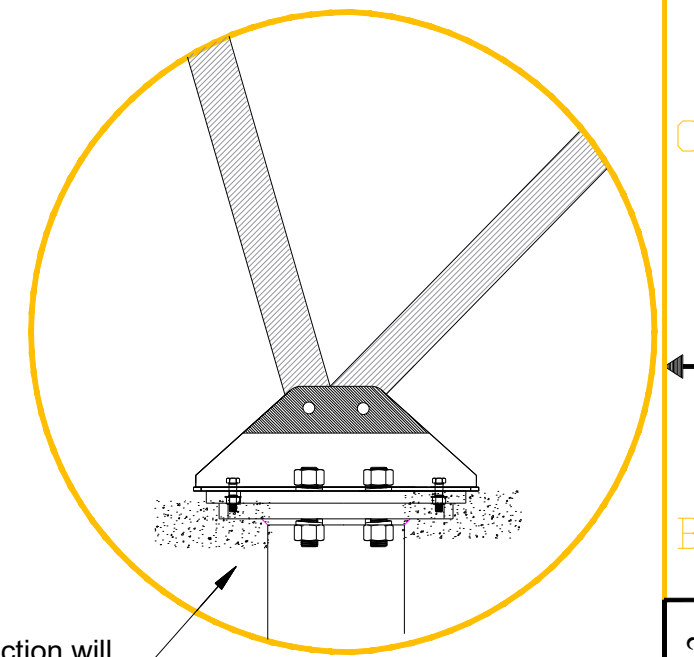
B

B

A

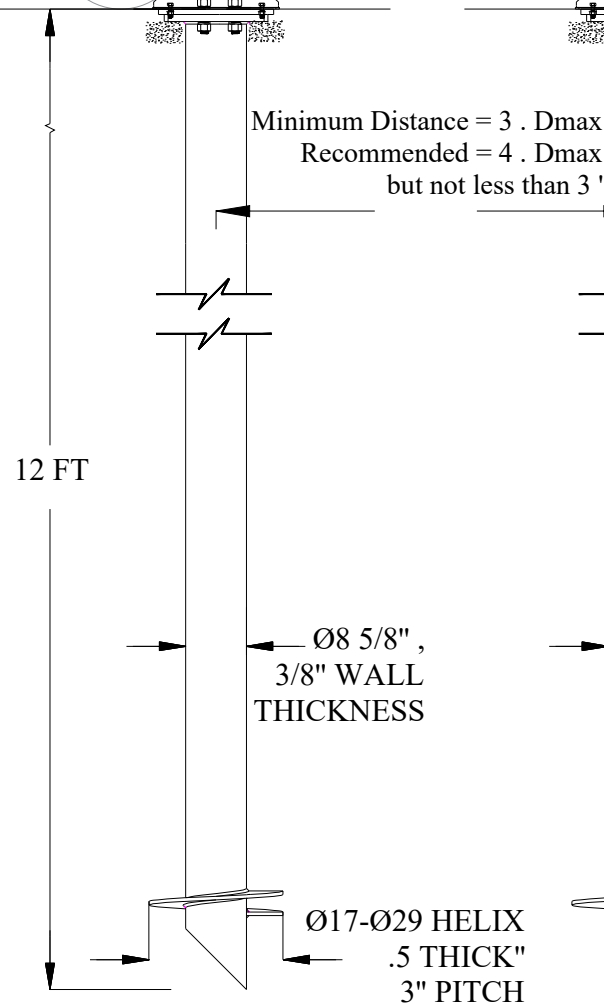
A

HEAD CONNECTION



The connection will be embedded in the ground

GROUND LEVEL



CARPORT PILE HEAD CONNECTION FOR 8 5/8" PILE

DWG. SIZE B | DWG. NO. GTPARKATSOL858-USC01

SCALE NO. TO SCALE | SHEET 1 OF 1

Rev.2

DWG. NO. GTPARKATSOL858-USC01

A

8

7

6

5



4

3

2

1