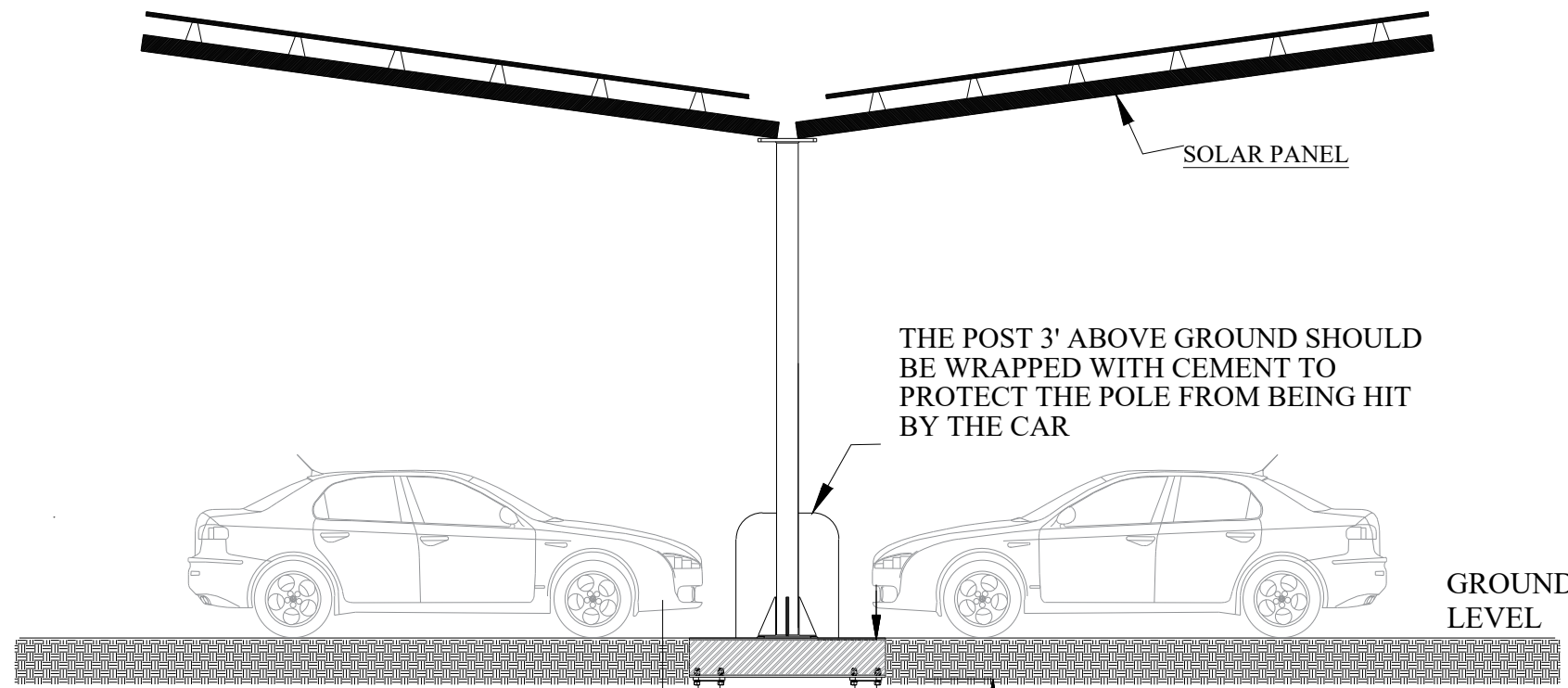
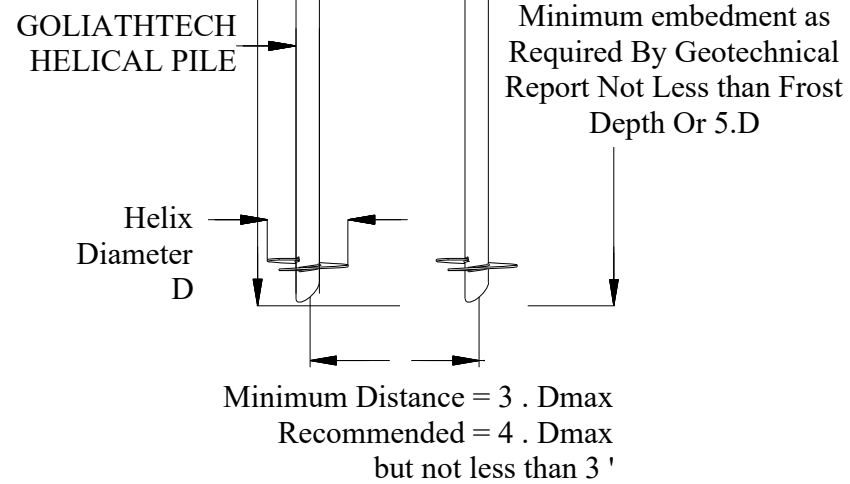
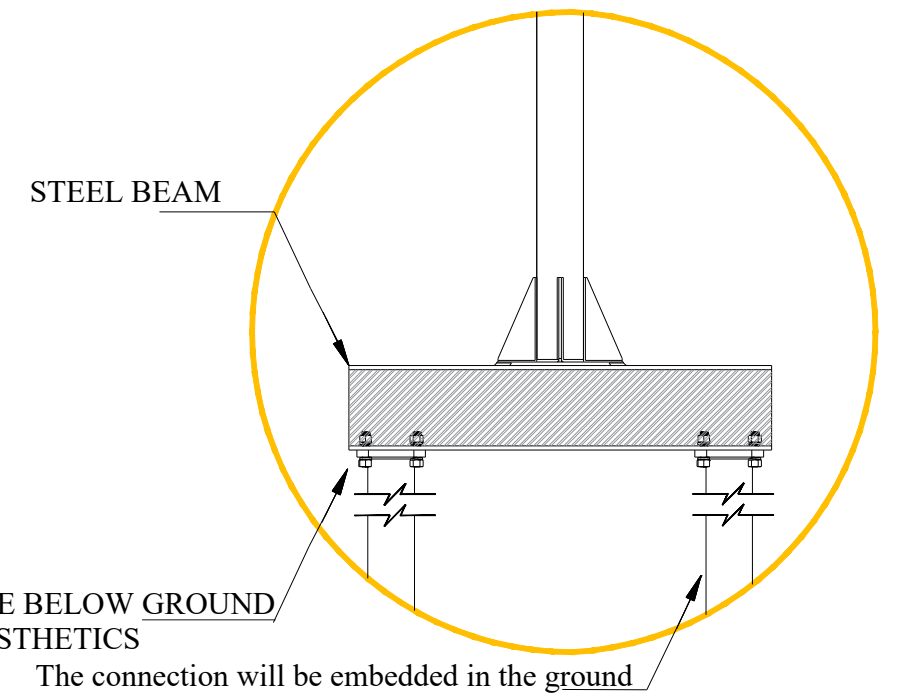


CARPORT

REVISIONS				
ZONE	REV.	DESCRIPTION	DATE	DESIGN
	2	INITIAL RELEASE	Jan-09-19	R.M



UNDERGROUND CONNECTION



NOTES:
 PILES: HOT-DIP GALAVANIZED
 PARTS PER ASTM A123

POLE CONNECTION DETAIL

GOLIATH TECH
 SCREW PILE SYSTEM

CAR PORT SET UP WITH TWO PILES USING
 STEEL BEAM

DWG. SIZE B | DWG. NO. GTCARPORT-USC01

SCALE NO. TO SCALE | SHEET 1 OF 1

Rev.2

DWG. NO. GTCARPORT-USC01

D
C
B
A

D
C
B
A