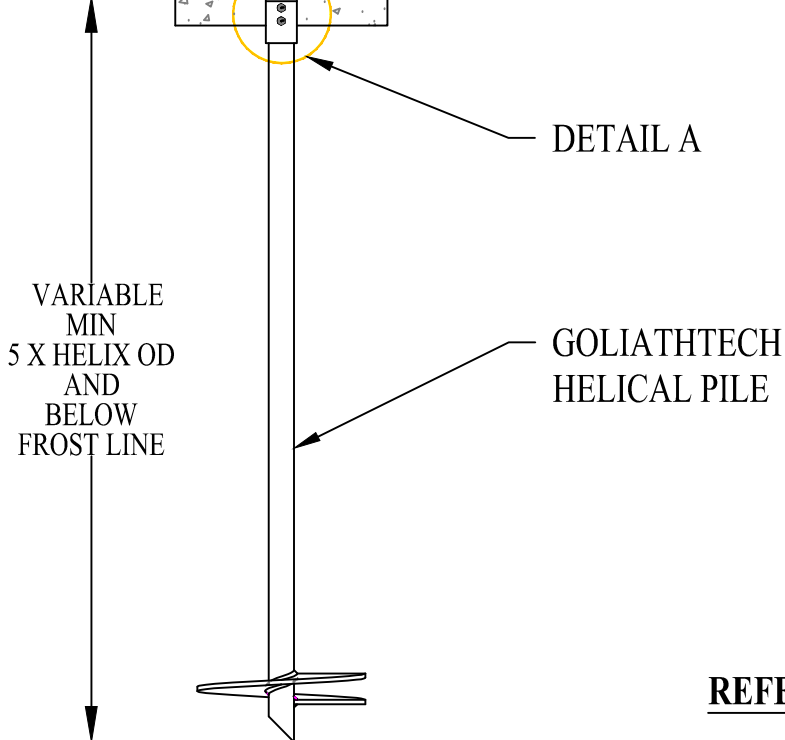
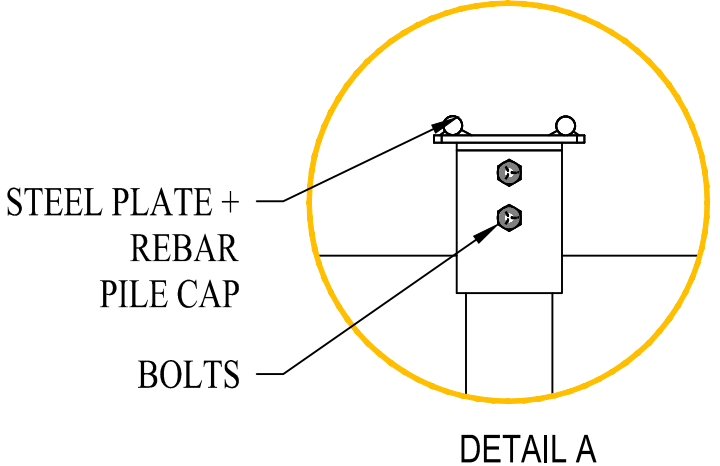
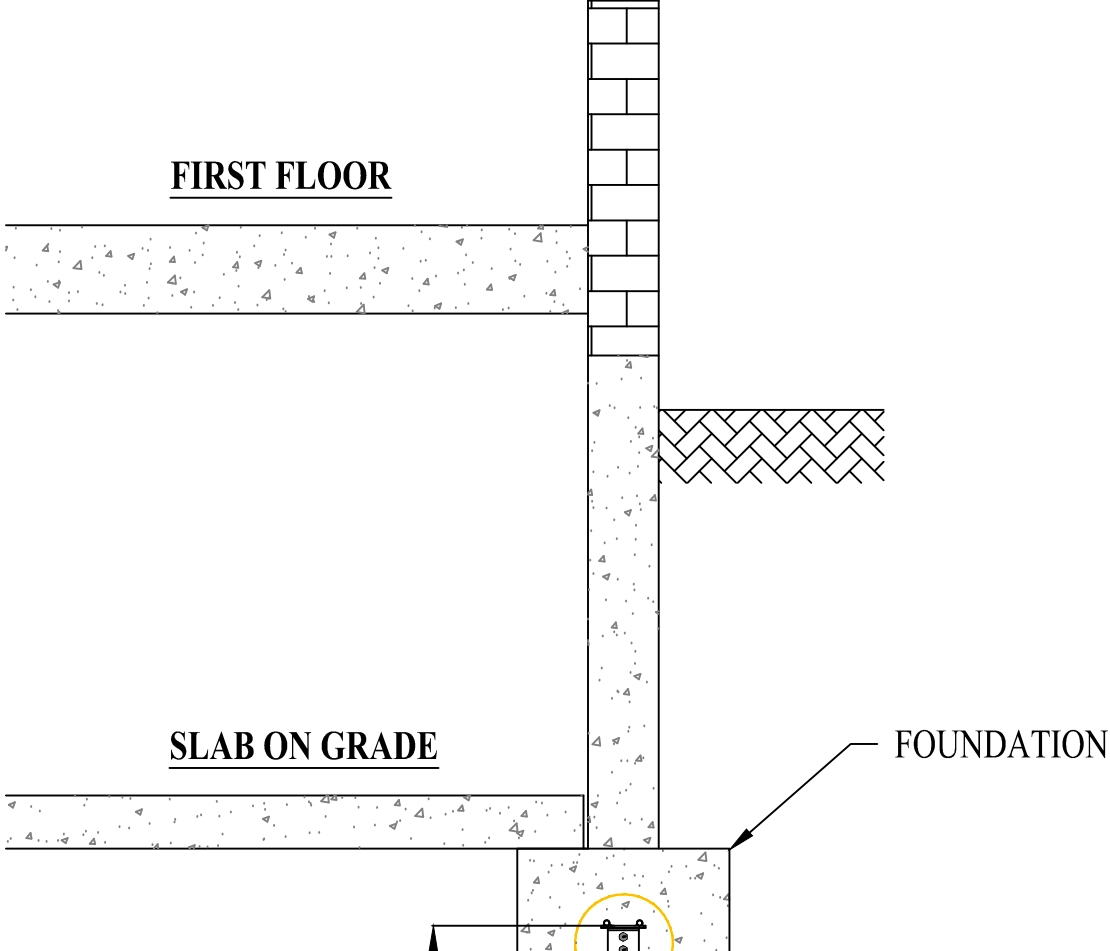


REVISIONS				
ZONE	REV.	DESCRIPTION	DATE	DESIGN
	2	INITIAL RELEASE	SEP-06-19	R.M



REFER TO GENERAL NOTES STD-GN-001

GOLIATHTECH
 SCREW PILE SYSTEM

CONCRETE APPLICATIONS
 BASEMENT WALL

DWG SIZE B STD-C0-006

SCALE Not To Scale SHEET 1 OF 1

