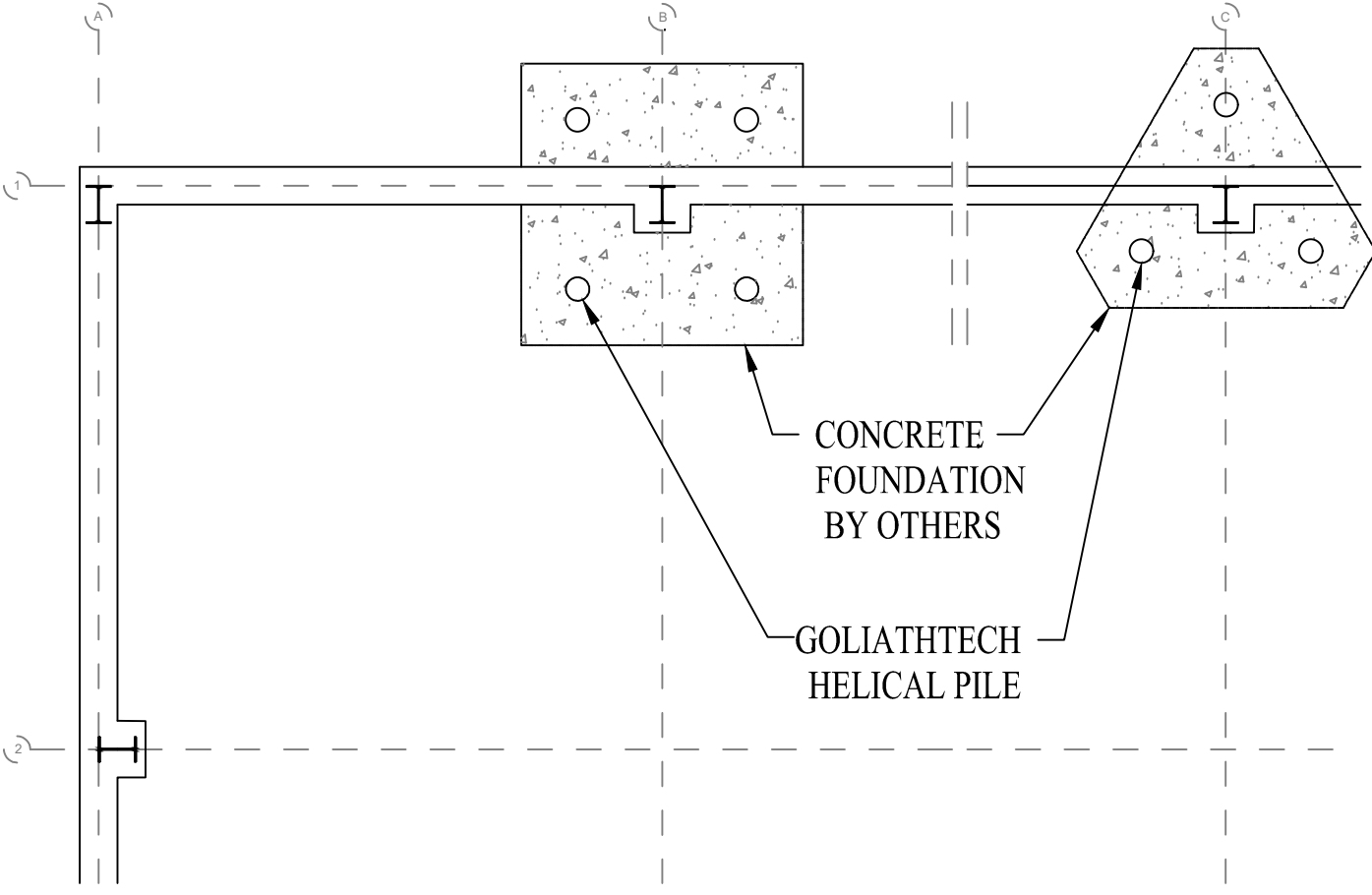
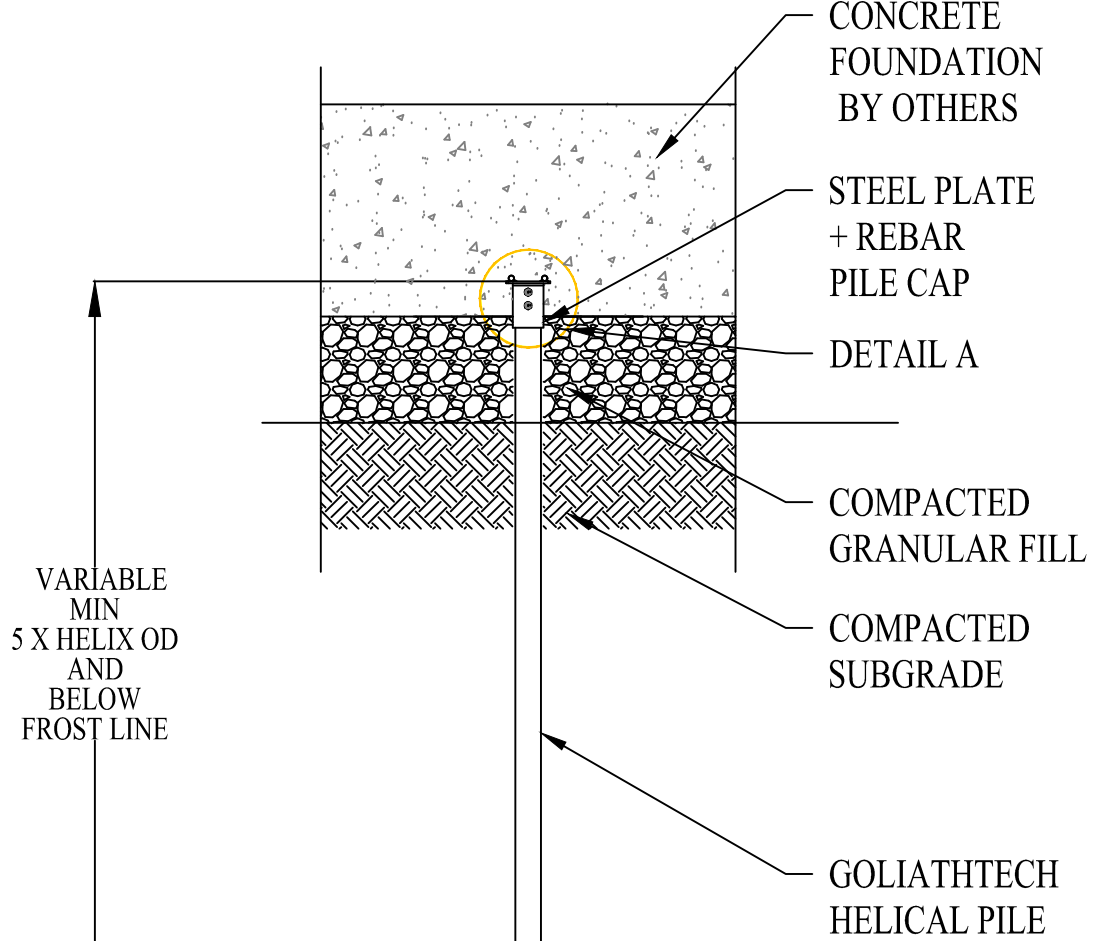


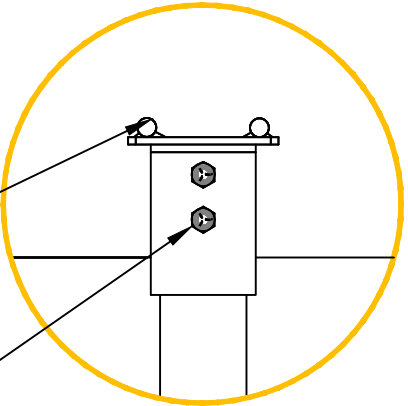
REVISIONS				
ZONE	REV.	DESCRIPTION	DATE	DESIGN
	2	INITIAL RELEASE	SEP-06-19	R.M



PLAN VIEW



SIDE VIEW



DETAIL A

REFER TO GENERAL NOTES STD-GN-001

GOLIATHTECH
SCREW PILE SYSTEM

CONCRETE APPLICATIONS
PILE CAP

DWG SIZE B	STD-C0-004
SCALE Not To Scale	SHEET 1 OF 1