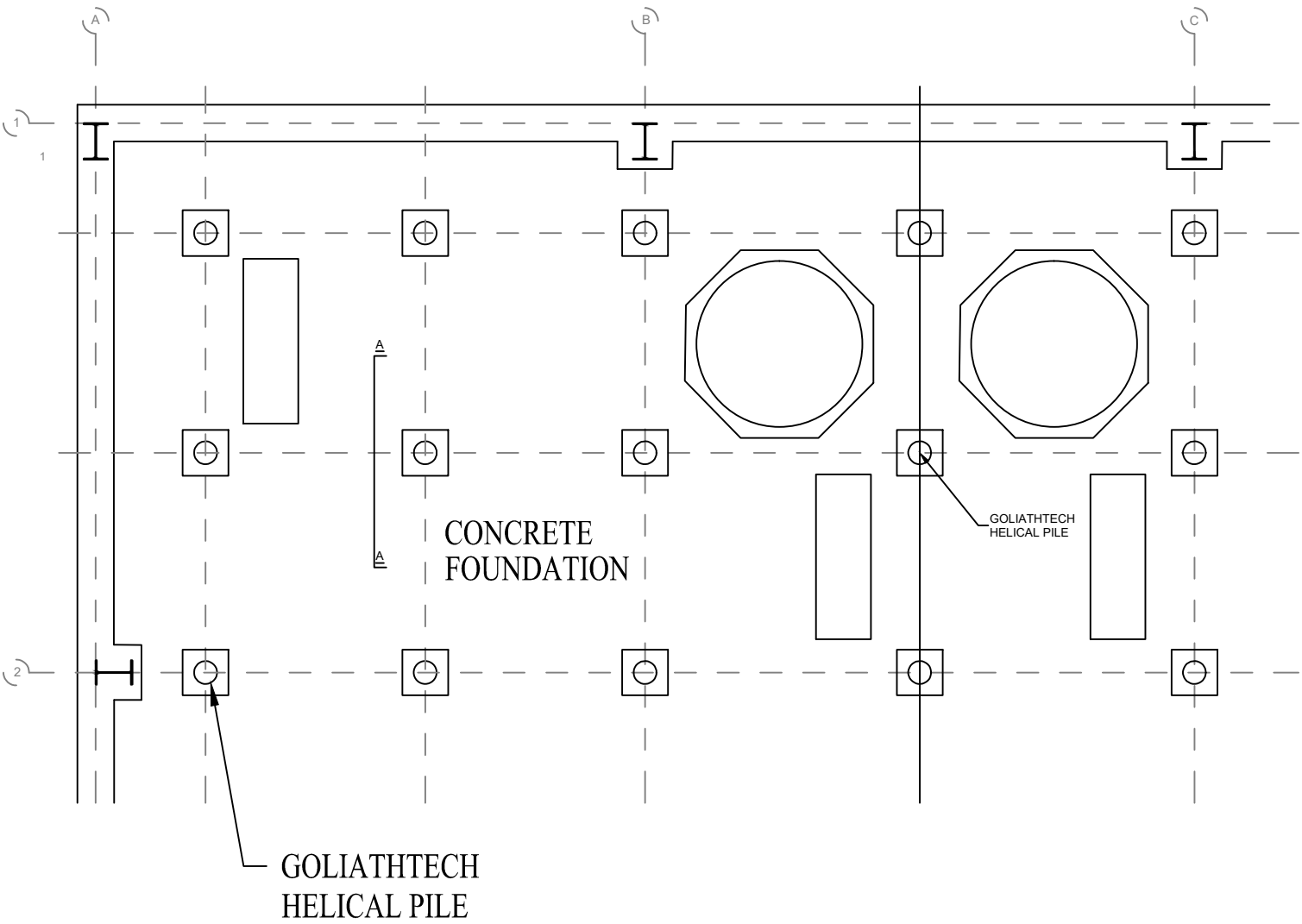
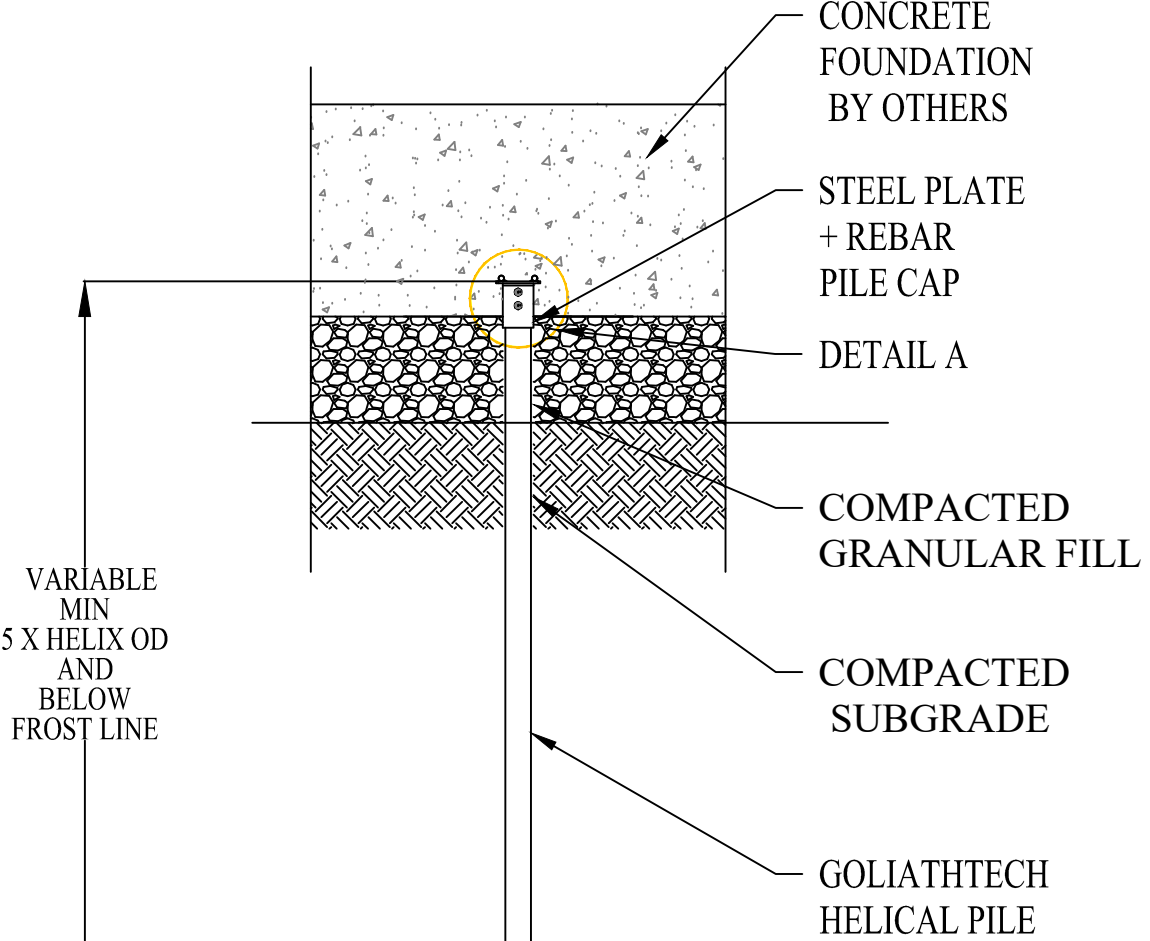


REVISIONS				
ZONE	REV.	DESCRIPTION	DATE	DESIGN
	2	INITIAL RELEASE	SEP-06-19	R.M

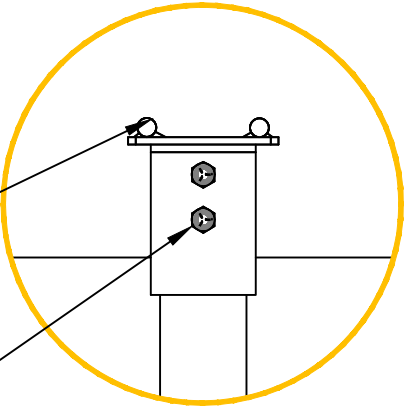


PLAN VIEW

REFER TO GENERAL NOTES STD-GN-001



SIDE VIEW



DETAIL A

GOLIATHTECH
SCREW PILE SYSTEM

CONCRETE APPLICATIONS
FOUNDATION

DWG SIZE	STD-C0-003
SCALE	Not To Scale
SHEET	1 OF 1