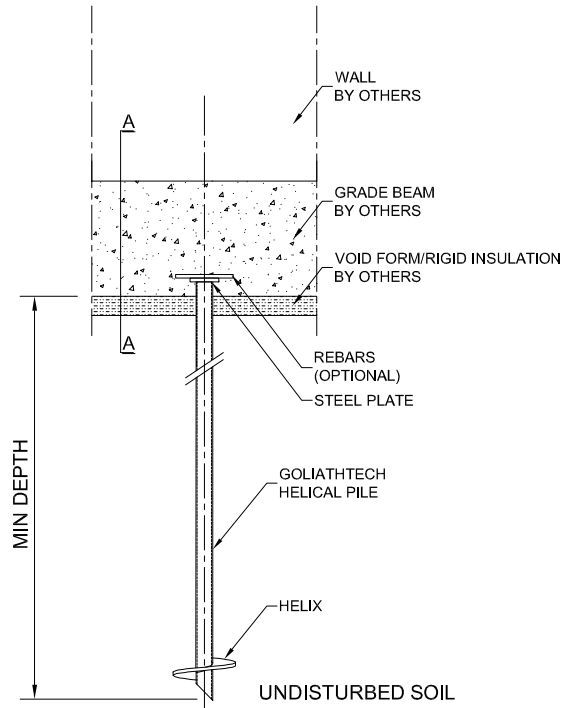
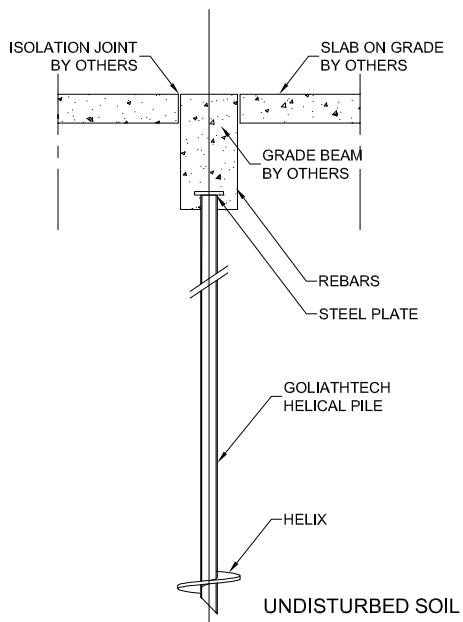


SECTION A-A



GRADE BEAM



INSIDE GRADE BEAM

REFER TO GENERAL NOTES STD-GN-001

DATE: 2017/01	CONCRETE APPLICATIONS GRADE BEAMS		STD-CO-001
REV.: 00			