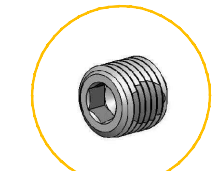
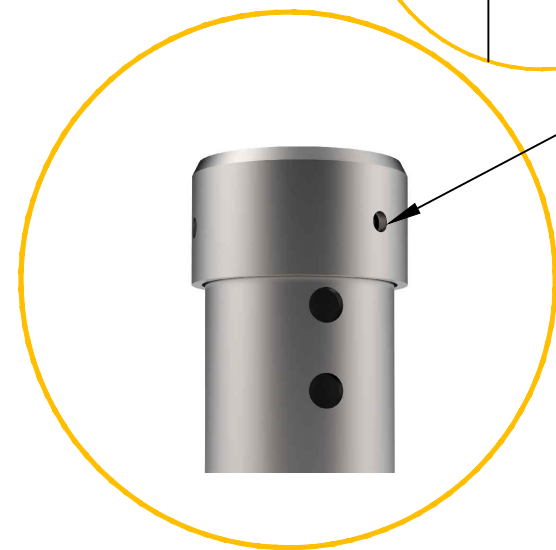
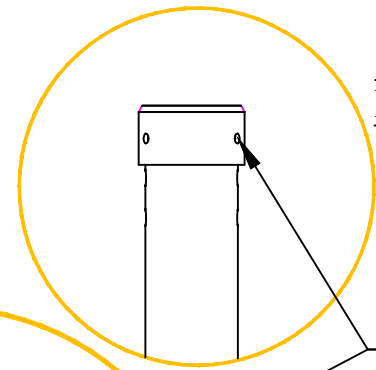
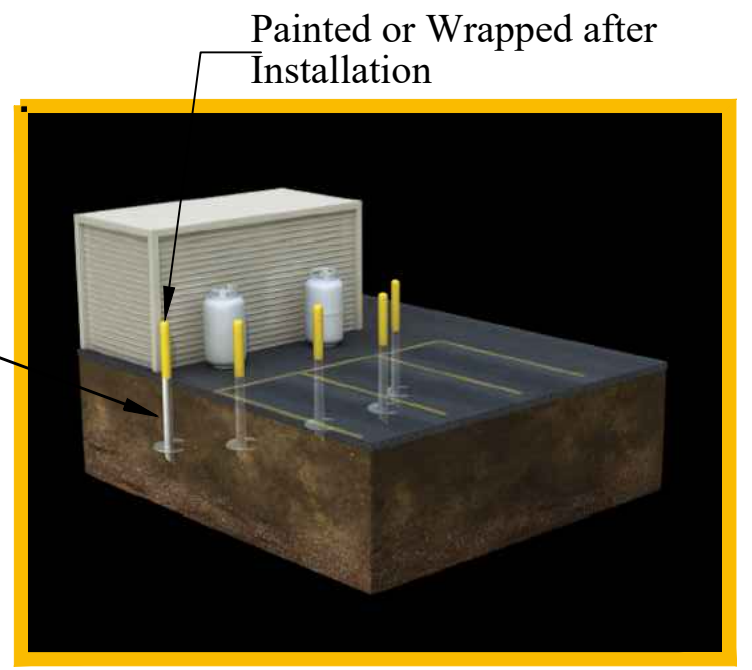
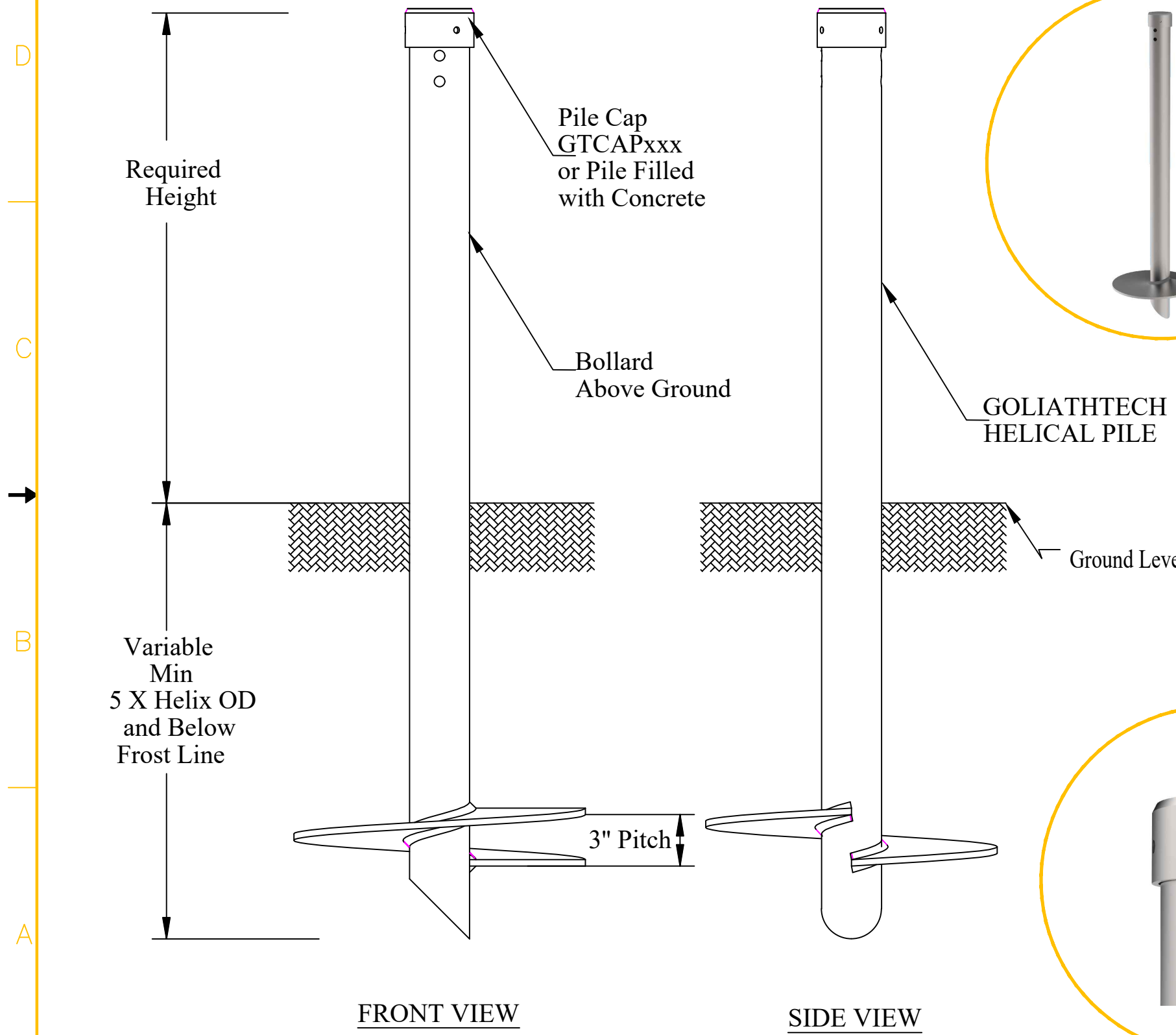


REVISIONS				
ZONE	REV.	DESCRIPTION	DATE	DESIGN
	1	INITIAL RELEASE	May-30-18	R.M



**GOLIATHTECH**  
SCREW PILE SYSTEM

BOLLARDS  
DWG. NO GTBOLLARDxxx-USC01  
SCALE 0.200 SHEET 1 OF 1

DWG. NO GTBOLLARDxxx-USC01 Rev.1